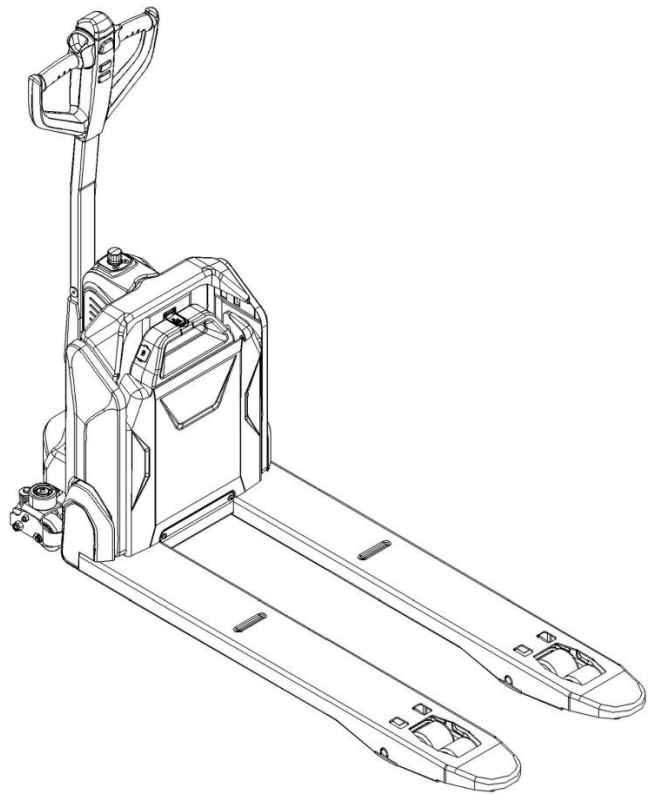


Electric Pallet Truck

PTE15N Pro&PTE20N Pro

PARTS MANUAL

507746020101&507646020101



Version: V07

Truck Identification Number From:

Parts Manual

PTE15N Pro&PTE20N Pro-PM07EN

Please order spare parts from authorized dealers of our Company.

In order to avoid wrong delivery, all the orders for spare parts should specify the following items:

- Truck model, identification number and manufacture year.
- Orders for spare parts of mast, hydraulic transmission unit, steering axle, motor, etc. shall indicate the manufacture number of these parts.
- Codes for Our Company spare parts are shown in the table of parts manual. Please also pay attention to the description of supply status, order quantity, etc. (check the number listed in "Mark" column of the parts manual).

"Mark" Column:

The unmarked indicates the parts are in short supply cycle.

Number 1: supply as package. Indicating these that parts are small parts and seal parts, which are supplied in package unit and in short supply cycle.

Number 2: supply with constraints. Indicating that these spare parts are not in stock and will be prepared for production after receiving the order from customers, which are in long supply cycle.

Number 3: phasing-out supply. Indicating that these parts will be replaced by new parts due to technical improvements and the current stock will not be available when these parts run out. Please check the description of technical improvements notice.

Number 4: supply as assembly. Indicating that these parts are assembly parts defined by manufacture process, which cannot be supplied as a single part.

Number 5: check other tables.

This parts manual is the property of Our Company and can be shared under the confidential agreement only, Our Company has the right to claim for compensation of any unauthorized use. Copy without permission is not allowed. Figures in the manual are not limited by the original design. our Company reserves the right to improve the products for continuous technology progress.

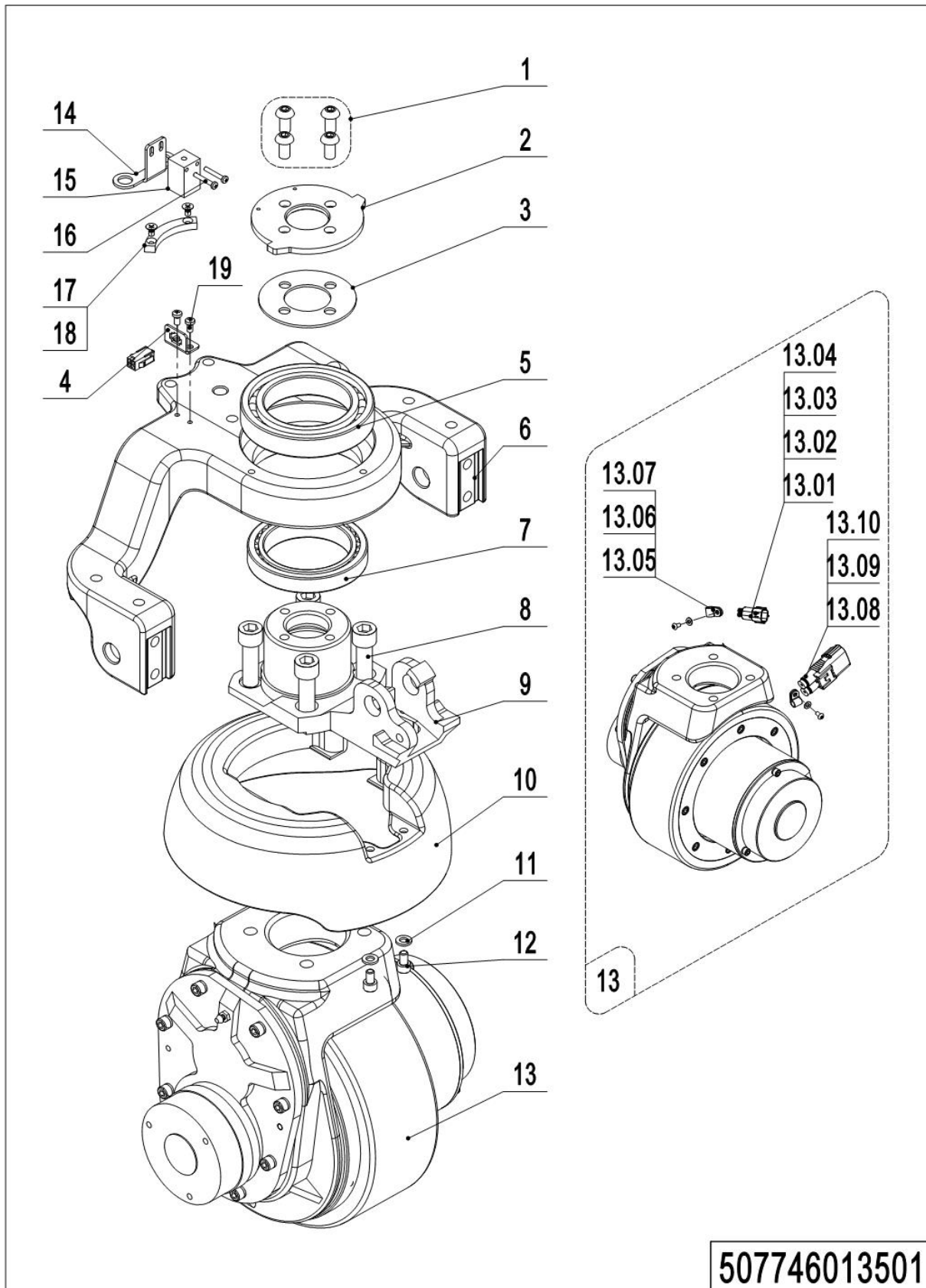
Table of Contents

| | |
|--|----|
| Chapter 1: Drive System..... | 5 |
| 01 Drive Unit Steering(PTE15N Pro)(507746013501) | 5 |
| 02 Drive Assembly(PTE15N Pro)(507746013001)..... | 7 |
| 03 Drive Unit Steering(PTE20N Pro)(507646013501) | 9 |
| 04 Drive Assembly(PTE20N Pro)(507646013001)..... | 13 |
| Chapter 2: Hydraulic System | 15 |
| 01 Hydraulic Components(PTE15N Pro)(507746023501) | 15 |
| 02 Hydraulic Components(PTE20N Pro)(507646023502) | 17 |
| Chapter 3: Truck Frame | 21 |
| 01 Truck Frame(PTE15N Pro) (507746038501) | 21 |
| 02 Truck Frame(PTE15N Pro) (507746038502) | 27 |
| 03 Truck Frame(PTE20N Pro)(507646038501) | 33 |
| 04 Truck Frame(PTE20N Pro)(507646038502) | 39 |
| Chapter 4: Steering System, Braking System, Wheels | 45 |
| 01 Tiller Unit(PTE15N Pro)(507746011001)..... | 45 |
| 02 Tiller Unit(PTE20N Pro)(507646011001)..... | 47 |
| 03 Control Handle(PTE15N Pro)(507746011002) | 49 |
| 04 Control Handle(PTE20N Pro)(507646011002) | 51 |
| 05 Load Wheel (Tandem)(PTE15N Pro)(507746017001) | 53 |
| 06 Load Wheel (Tandem)(PTE20N Pro)(507646017001) | 55 |
| 07 Caster(507746016501)..... | 57 |
| 08 Caster(without)(507746016502) | 59 |
| Chapter 5: Electrical Parts | 61 |
| 01 Wire Harness(PTE15N Pro)(507746033001) | 61 |
| 02 Wire Harness(PTE20N Pro) (507646033001) | 63 |
| 03 Controller(PTE15N Pro)(507746033002) | 65 |
| 04 Controller(PTE20N Pro) (507646033002) | 67 |
| 05 Charger (PTE15N Pro)(507746036501) | 69 |
| 06 Charger(PTE15N Pro)(507746036502) | 73 |
| 07 Charger(PTE20N Pro) (507646036501) | 75 |
| 08 Charger(PTE20N Pro) (507646036502) | 77 |
| 09 Traction Battery(24V20Ah)(PTE15N Pro)(507746037001)..... | 79 |
| 10 Traction Battery(24V40Ah)(PTE15N Pro)(507746037002) | 81 |
| 11 Traction Battery(24V40Ah) (PTE15N Pro) (507746037003) | 83 |
| 12 Traction Battery(48V20Ah)(PTE20N Pro)(507646037001)..... | 85 |
| 13 Traction Battery(48V20Ah)(PTE20N Pro)(507646037002)..... | 87 |
| Chapter 6: Special Parts | 89 |
| 01 Load Backrest(507746040501) | 89 |
| 02 Charging cabinets(PTE15N Pro)(507746040502) | 91 |
| 03 Charging cabinets(PTE20N Pro)(507646040501) | 93 |
| 04 Charging cabinets(PTE20N Pro)(507646040502) | 95 |
| Chapter 7: Others | 97 |

01 Labels and Decals-EU(PTE15N Pro)(507746047001)97
02 Labels and Decals-US(PTE15N Pro)(507746047002)101
03 Labels and Decals-EU(PTE20N Pro)(507646047001)105
04 Labels and Decals-US(PTE20N Pro)(507646047002)107
Appendix.....109
01 Electrical Circuit Diagram(PTE15N Pro)(507746045501)109
02 Electrical Circuit Diagram(PTE15N Pro)(507746045502)110
03 Electrical Circuit Diagram(PTE15N Pro)(507746045503)111
04 Electrical Circuit Diagram(PTE15N Pro)(507746045504)112
05 Electrical Circuit Diagram(PTE20N Pro)(507646045501)113
06 Electrical Circuit Diagram(PTE20N Pro)(507646045502)114
07 Hydraulic Circuit Diagram(PTE15N Pro)(507746045505).....115
08 Hydraulic Circuit Diagram(PTE20N Pro)(507646045503).....116
09 Consumable Parts List117

Chapter 1: Drive System

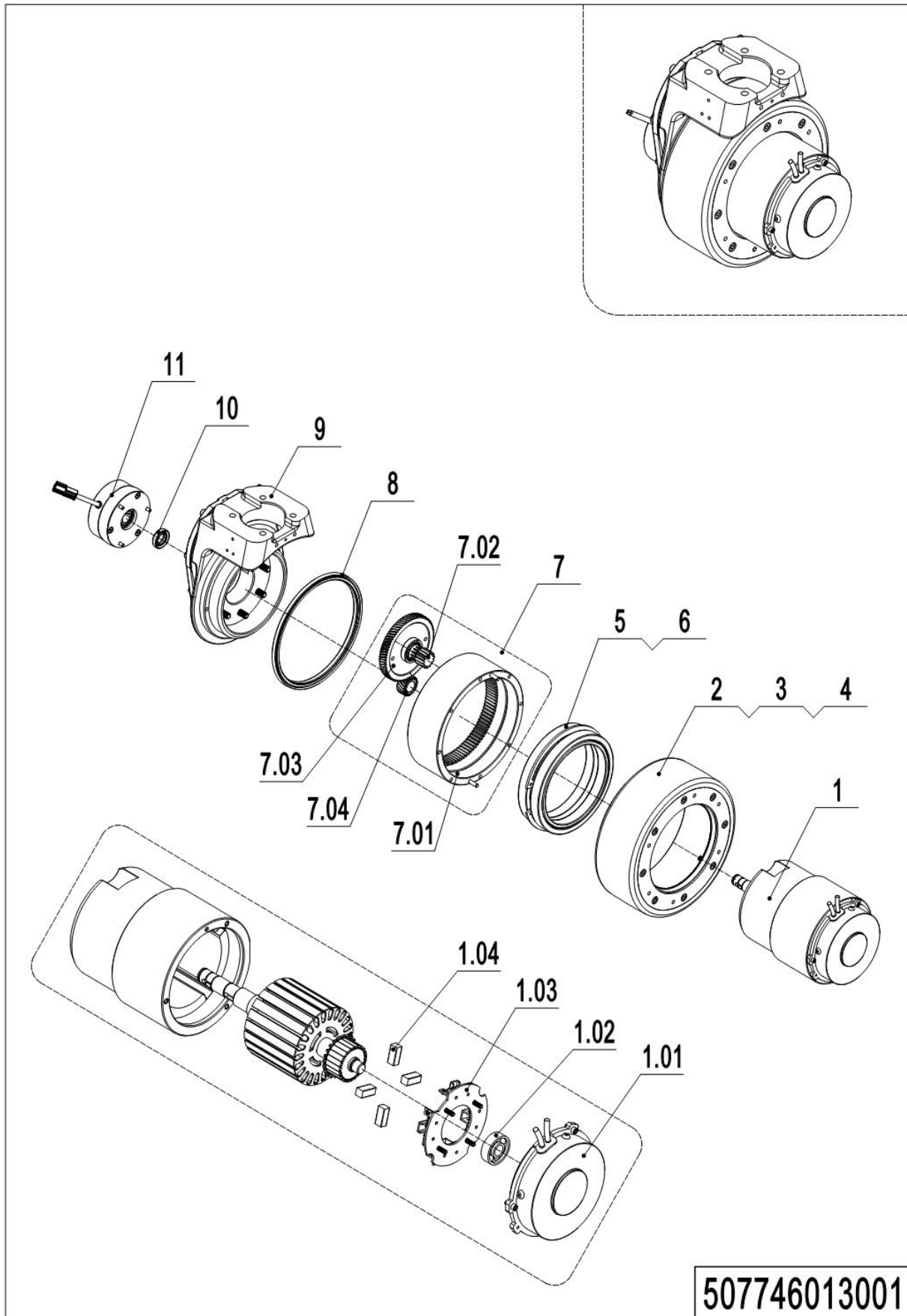
01 Drive Unit Steering(PTE15N Pro)(507746013501)



507746013501

01 Drive Unit Steering(PTE15N Pro) (507746013501)

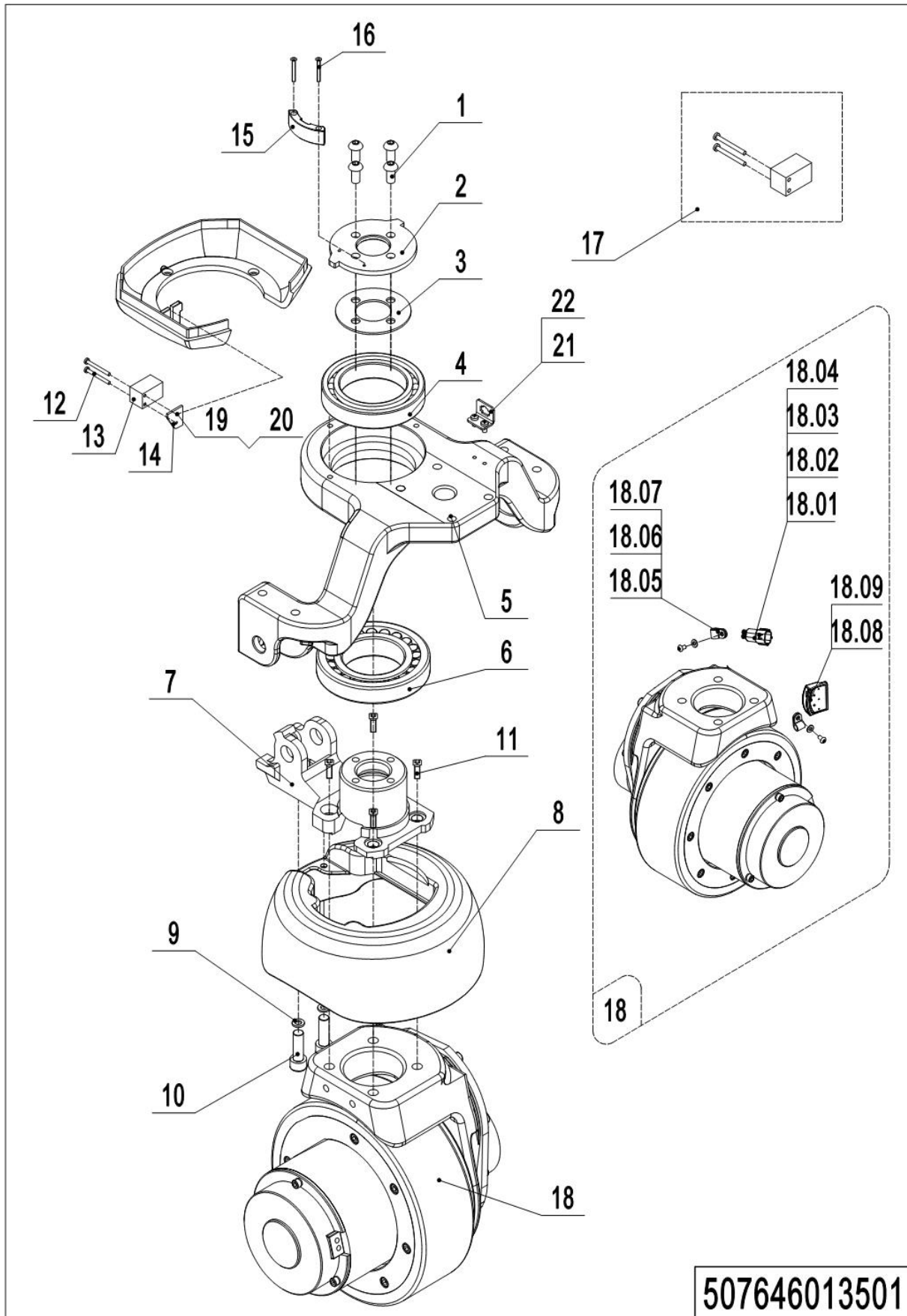
| No. | Item Code | Mark | Item Description | Qty. | Substitute | Note |
|-------|--------------|------|------------------|------|------------|-----------------------------|
| 1 | 910200300024 | 1 | Screw M8x16 | 4 | | |
| 2 | 508013520003 | | Bearing Cap | 1 | | |
| 3 | 508013520004 | | Subplate | 1 | | |
| 4 | 507738520022 | 1 | Mounting Plate | 1 | | |
| 5 | 910700200058 | 1 | Bearing | 1 | | |
| 6 | 507913520000 | | Wheel Mount | 1 | | |
| 7 | 910700600044 | | Bearing | 1 | | |
| 8 | 910200200076 | 1 | Screw M10x25 | 4 | | |
| 9 | 508013520001 | | Flange | 1 | | |
| 10 | 508013520101 | | Cover | 1 | | Be sure to color your order |
| 11 | 910400100005 | 1 | Flat Washer | 2 | | |
| 12 | 910200200033 | 1 | Screw M6x12 | 2 | | |
| 13 | 508013510002 | | Drive Kit | 1 | | 8NM,PU |
| 13 | 508013510005 | | Drive Kit | 1 | | 8NM,PU(Anti-slip) |
| 13.01 | 920400200004 | 1 | Connector | 1 | | |
| 13.02 | 920400200003 | 1 | Connector | 1 | | |
| 13.03 | 920400200017 | 1 | Connector | 2 | | |
| 13.04 | 920400200018 | 1 | Connector | 2 | | |
| 13.05 | 910200700001 | 1 | Screw M4x10 | 2 | | |
| 13.06 | 910400100003 | 1 | Flat Washer | 2 | | |
| 13.07 | 921300200001 | | Cable Clamp | 2 | | |
| 13.08 | 920400200169 | 1 | Connector | 1 | | |
| 13.09 | 920400200172 | 1 | Connector | 2 | | |
| 13.10 | 920400200171 | 1 | Connector | 2 | | |
| 14 | 508033020003 | | Bracket | 1 | | |
| 15 | 920200400017 | | Proximity Switch | 1 | | |
| 16 | 910200500015 | 1 | Screw M3x20 | 2 | | |
| 17 | 508033020002 | | Induction Block | 1 | | |
| 18 | 910200700001 | 1 | Screw M4x10 | 2 | | |
| 19 | 910200300016 | | Screw M6x10 | 2 | | |

02 Drive Assembly(PTE15N Pro)(507746013001)

02 Drive Assembly(PTE15N Pro) (507746013001)

| No. | Item Code | Mark | Item Description | Qty. | Substitute | Note |
|------|--------------|------|-----------------------|------|------------|-----------|
| 1 | 961004000012 | | Motor | 1 | | |
| 1.01 | 507798520022 | | End Cap | 1 | | |
| 1.02 | 507798520021 | | Bearing | 1 | | |
| 1.03 | 507798520024 | | Carbon Brush Holder | 1 | | |
| 1.04 | 507798520023 | | Carbon Brush | 4 | | |
| 2 | 961004000009 | | Drive Wheel | 1 | | |
| 2 | 961004200001 | | Drive Wheel | 1 | | Anti-slip |
| 3 | 961004000011 | | Oil Seal | 1 | | |
| 4 | 910200200167 | | Screw Kits M6x20 | 8 | | |
| 5 | 910700200044 | | Bearing | 2 | | |
| 6 | 961004000007 | | Spacer Bush | 1 | | |
| 7 | 507798510006 | | Gear Kit | 1 | | |
| 7.01 | 961004000006 | | Gear | 1 | | |
| 7.02 | 961004000003 | | Gear Shaft | 1 | | |
| 7.03 | 961004000002 | | Gear | 1 | | |
| 7.04 | 961004000005 | | Gear | 1 | | |
| 8 | 961004000010 | | Oil Seal | 1 | | |
| 9 | 507798510007 | | Gearbox Shell | 1 | | |
| 10 | 961000700012 | | Oil Seal | 1 | | |
| 11 | 940700100015 | | Electromagnetic Brake | 1 | | |

03 Drive Unit Steering(PTE20N Pro)(507646013501)

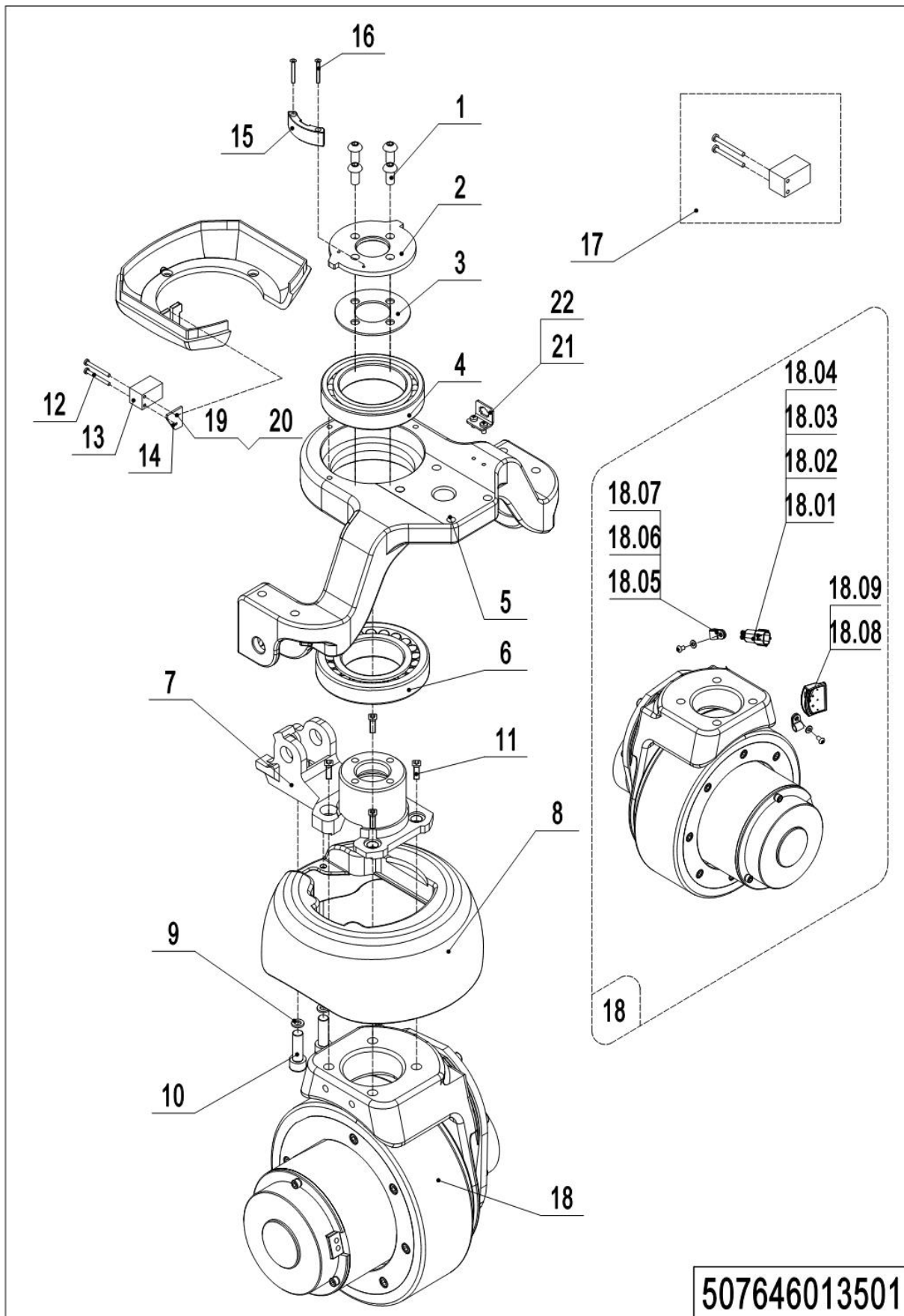


507646013501

03 Drive Unit Steering(PTE20N Pro) (507646013501)

| No. | Item Code | Mark | Item Description | Qty. | Substitute | Note |
|-------|--------------|------|----------------------|------|------------|-----------------------------|
| 1 | 910200300024 | 1 | Screw M8x16 | 4 | | |
| 2 | 508513520002 | | Bearing Cap | 1 | | |
| 3 | 508013520004 | | Subplate | 1 | | |
| 4 | 910700200058 | | Bearing | 1 | | |
| 5 | 508513520001 | | Wheel Mount | 1 | | |
| 6 | 910700600044 | | Bearing | 1 | | |
| 7 | 508513520000 | | Flange | 1 | | |
| 8 | 508013520101 | | Cover | 1 | | Be sure to color your order |
| 9 | 910400100005 | 1 | Flat Washer | 4 | | |
| 10 | 910200200032 | 1 | Screw M6x10 | 2 | | |
| 11 | 910200200076 | 1 | Screw M10x25 | 4 | | |
| 12 | 910200200007 | 1 | Screw M3x25 | 2 | | |
| 13 | 920200400025 | | Proximity Switch | 1 | | |
| 14 | 508533020001 | | Mounting Plate | 1 | | |
| 15 | 508533020000 | | Induction Block | 1 | | |
| 16 | 910200500015 | 1 | Screw M3x20 | 2 | | |
| 17 | 508598510002 | | Proximity Switch Kit | 1 | | |
| 18 | 508513510000 | | Drive Kit | 1 | | |
| 18 | 508513510001 | | Drive Kit | 1 | | Anti-slip |
| 18.01 | 920400200001 | | Connector | 1 | | |
| 18.02 | 920400200019 | | Connector | 2 | | |
| 18.03 | 920400200018 | | Connector | 2 | | |
| 18.04 | 920400200002 | | Connector | 1 | | |
| 18.05 | 921300200001 | | Cable Clamp | 2 | | |
| 18.06 | 910200200012 | 1 | Screw M4x8 | 2 | | |
| 18.07 | 910400100003 | 1 | Flat Washer | 2 | | |
| 18.08 | 920400200160 | | Connector | 1 | | |
| 18.09 | 920400200161 | | Connector | 1 | | |
| 19 | 910400100003 | 1 | Flat Washer | 1 | | |

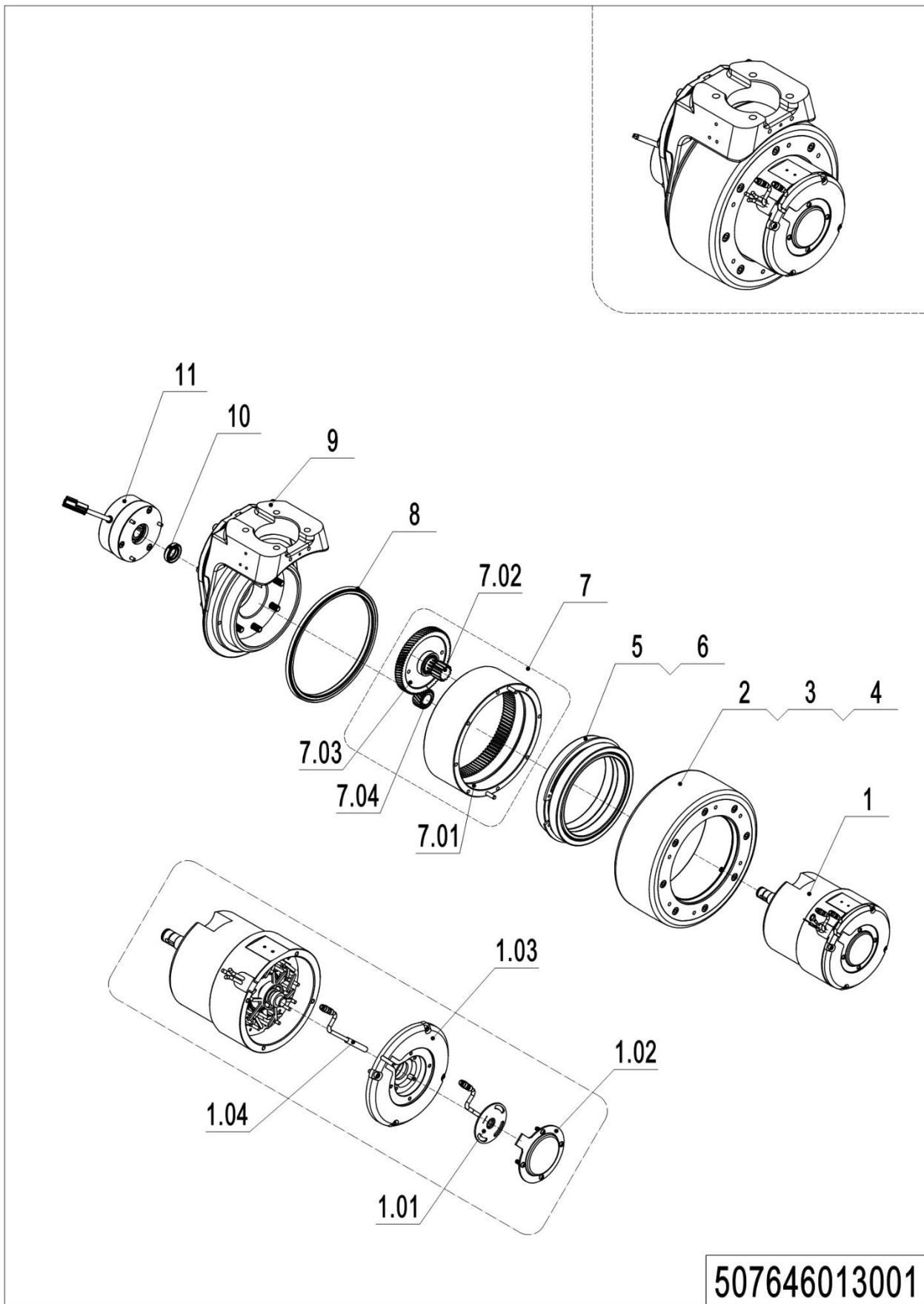
03 Drive Unit Steering(PTE20N Pro) (507646013501) Continuation



507646013501

03 Drive Unit Steering(PTE20N Pro) (507646013501) Continuation

| No. | Item Code | Mark | Item Description | Qty. | Substitute | Note |
|------------|------------------|-------------|-------------------------|-------------|-------------------|-------------|
| 20 | 910200300005 | 1 | Screw M4x8 | 1 | | |
| 21 | 507738520022 | | Mounting Plate | 1 | | |
| 22 | 910200300016 | | Screw M6x10 | 2 | | |

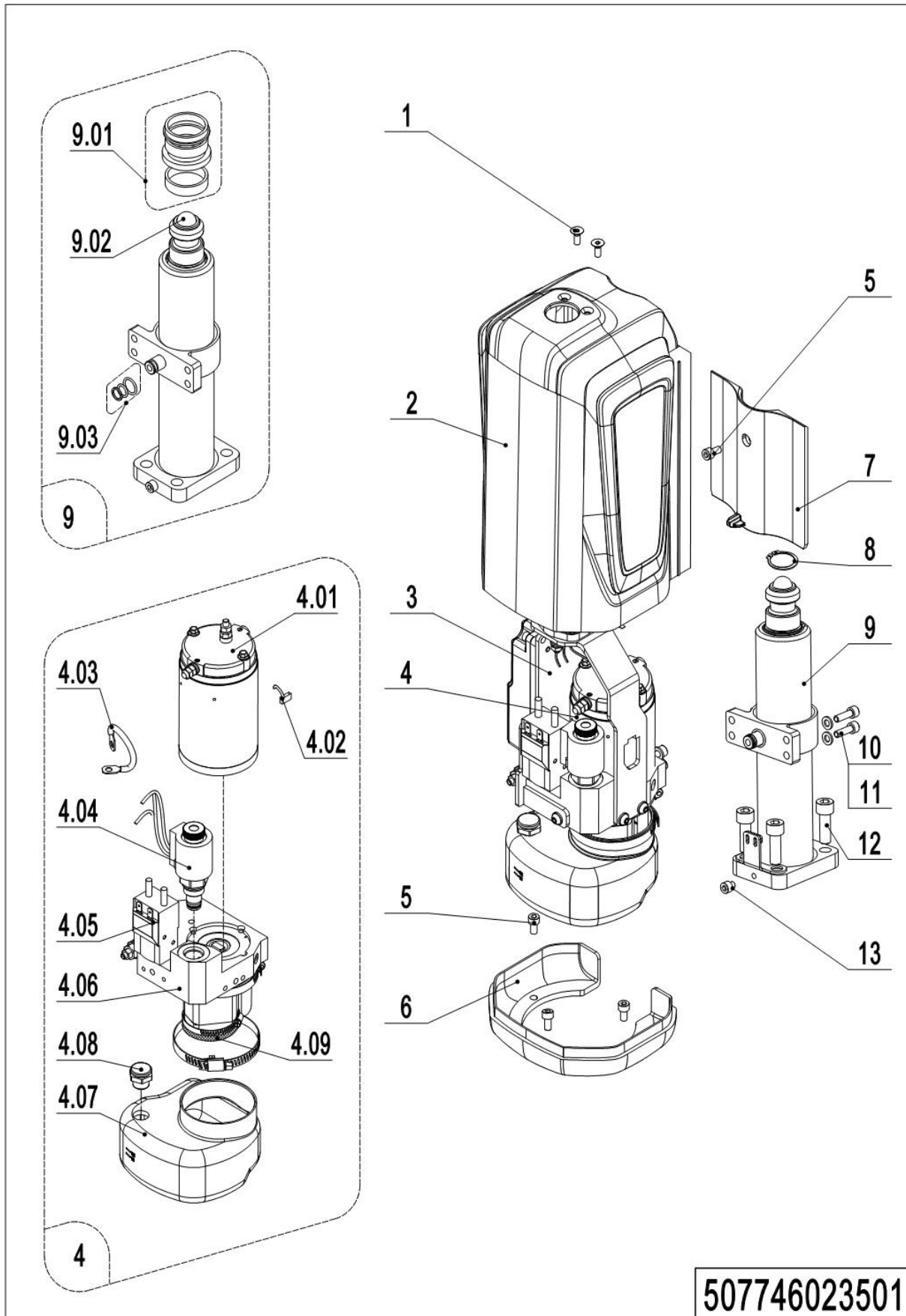
04 Drive Assembly(PTE20N Pro)(507646013001)

04 Drive Assembly (PTE20N Pro)(507646013001)

| No. | Item Code | Mark | Item Description | Qty. | Substitute | Note |
|------|--------------|------|-----------------------|------|------------|-----------|
| 1 | 961004300001 | | Motor | 1 | | |
| 1.01 | 961001800002 | | Sensor | 1 | | |
| 1.02 | 961001800003 | | Close Plate | 1 | | |
| 1.03 | 961001800004 | | End Cap | 1 | | |
| 1.04 | 961001800005 | | Sensor | 1 | | |
| 2 | 961004000009 | | Drive Wheel | 1 | | |
| 2 | 961004200001 | | Drive Wheel | 1 | | Anti-slip |
| 3 | 961004000011 | | Oil Seal | 1 | | |
| 4 | 910200200167 | | Screw Kits M6x20 | 8 | | |
| 5 | 910700200044 | | Bearing | 2 | | |
| 6 | 961004000007 | | Spacer Bush | 1 | | |
| 7 | 507798510006 | | Gear Kit | 1 | | |
| 7.01 | 961004000006 | | Gear | 1 | | |
| 7.02 | 961004000003 | | Gear Shaft | 1 | | |
| 7.03 | 961004000002 | | Gear | 1 | | |
| 7.04 | 961004000005 | | Gear | 1 | | |
| 8 | 961004000010 | | Oil Seal | 1 | | |
| 9 | 507798510007 | | Gearbox Shell | 1 | | |
| 10 | 961000700012 | | Oil Seal | 1 | | |
| 11 | 940700100015 | | Electromagnetic Brake | 1 | | |

Chapter 2: Hydraulic System

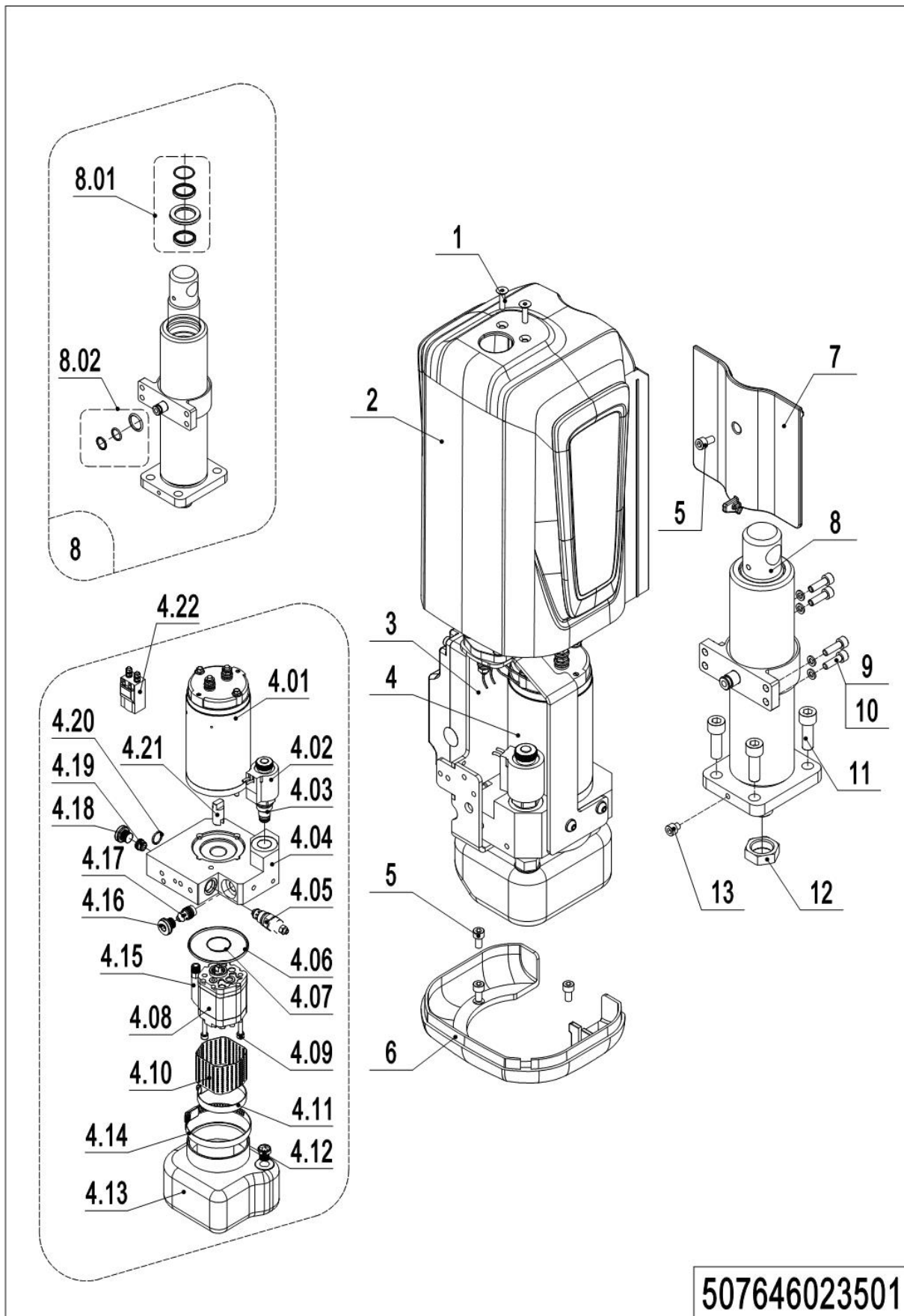
01 Hydraulic Components(PTE15N Pro)(507746023501)



01 Hydraulic Components(PTE15N Pro)(507746023502)

| No. | Item Code | Mark | Item Description | Qty. | Substitute | Note |
|------|--------------|------|--------------------|------|------------|-----------------------------|
| 1 | 910200400053 | 1 | Screw M6x16 | 2 | | |
| 2 | 507724010090 | | Cover Kit | 1 | | Be sure to color your order |
| 3 | 508024010007 | | Mounting Rack | 1 | | |
| 4 | 950900100124 | | Pump Unit | 1 | | |
| 4.01 | 508098510107 | 2 | Motor | 1 | | |
| 4.02 | 508098520008 | 2 | Brush | 1 | | |
| 4.03 | 508098520007 | 2 | Cables | 1 | | |
| 4.04 | 508098510034 | 2 | Magnetic Valve Kit | 1 | | |
| 4.05 | 508098510021 | 2 | Switch | 1 | | |
| 4.06 | 508098510108 | 2 | Gear Pump Kit | 1 | | |
| 4.07 | 508098510011 | 2 | Tank | 1 | | |
| 4.08 | 508598510009 | 2 | Cap-Tank | 1 | | |
| 4.09 | 508098520037 | 2 | Filter | 1 | | |
| 5 | 910200200033 | 1 | Screw M6x12 | 4 | | |
| 6 | 507724020092 | | Pedestal | 1 | | Be sure to color your order |
| 7 | 508024020104 | | Cylinder Cover | 1 | | Be sure to color your order |
| 8 | 910401300017 | 1 | Circlip | 1 | | |
| 9 | 508024010003 | | Cylinder Assembly | 1 | | |
| 9.01 | 508098510018 | | Seal Kit | 1 | | |
| 9.02 | 910701100019 | | Steel Ball | 1 | | |
| 9.03 | 508598510004 | | Seal Kit | 1 | | |
| 10 | 910200200036 | 1 | Screw M6x20 | 7 | | |
| 11 | 910400100005 | 1 | Flat Washer | 7 | | |
| 12 | 910200200077 | 1 | Screw M10x30 | 4 | | |
| 13 | 910200200160 | 1 | Screw M6x6 | 1 | | |

02 Hydraulic Components(PTE20N Pro)(507646023502)

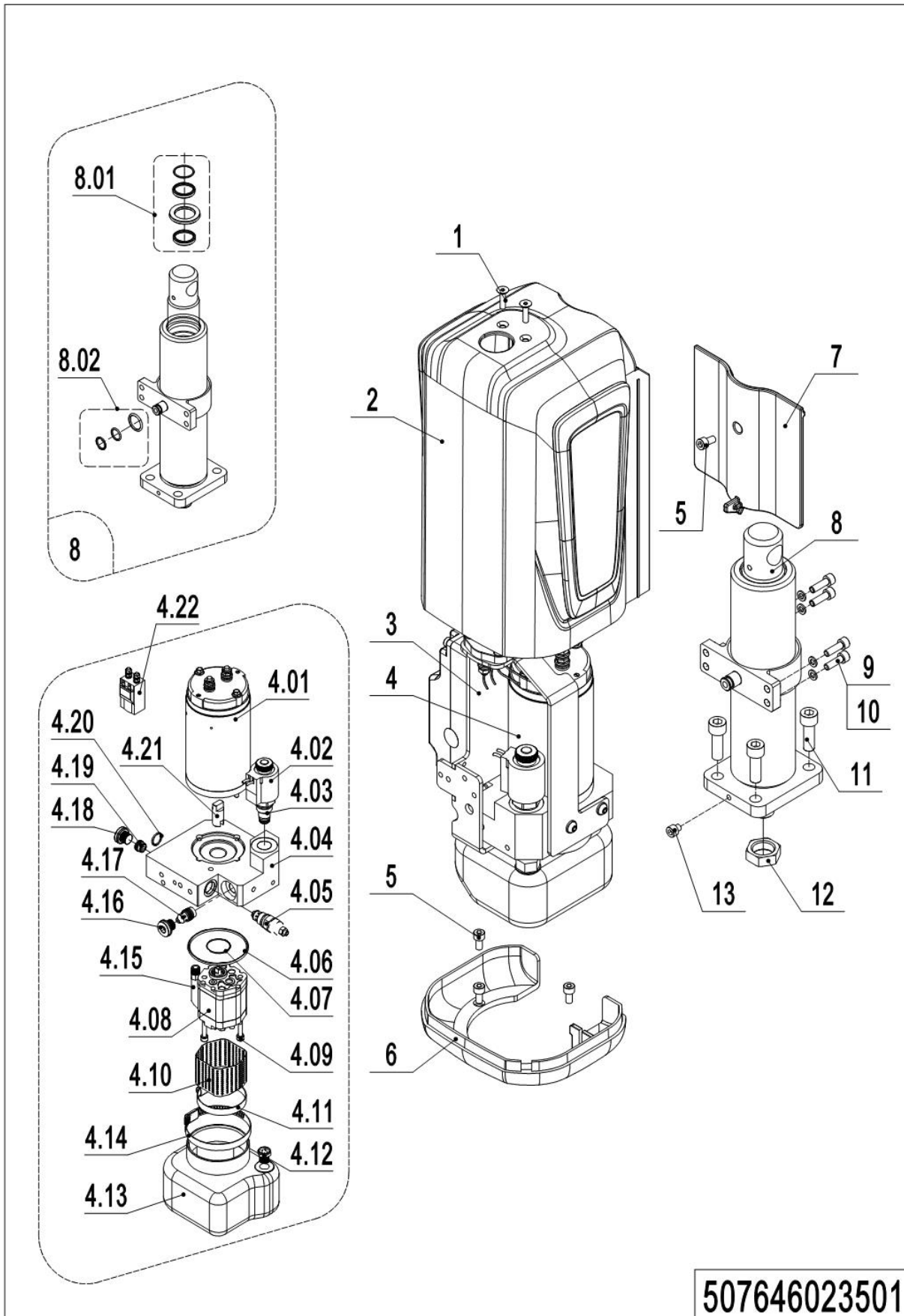


507646023501

02 Hydraulic Components(PTE20N Pro)(507646023501)

| No. | Item Code | Mark | Item Description | Qty. | Substitute | Note |
|------|--------------|------|------------------------|------|------------|-----------------------------|
| 1 | 910200400052 | | Screw M6x20 | 2 | | |
| 2 | 507624010090 | | Cover Kit | 1 | | Be sure to color your order |
| 3 | 508524010003 | | Mounting Rack | 1 | | |
| 4 | 950900100057 | | Pump Unit | 1 | | |
| 4.01 | 508598510007 | | Motor | 1 | | MD48080AN |
| 4.02 | 508598520001 | | Coil | 1 | | YC048DC |
| 4.03 | 505698520054 | | Magnetic Valve Element | 1 | | SCV |
| 4.04 | 508598520002 | | Valve Block | 1 | | CMB3-101-66E |
| 4.05 | 504498510015 | | Overflow Valve | 1 | | RV-06 |
| 4.06 | 508598520003 | | O-Ring | 1 | | 67.95x2.62 |
| 4.07 | 910800100063 | | O-Ring | 1 | | 21.2x1.8 |
| 4.08 | 508598510008 | | Gear Pump | 1 | | CBU-F1038 |
| 4.09 | 508598520004 | 1 | Screw M5x60 | 2 | | M5x60 |
| 4.10 | 508598520005 | | Filter | 1 | | 59-30 |
| 4.11 | 508598520006 | | Hoop | 1 | | KG02 |
| 4.12 | 508598510009 | | Cap-Tank | 1 | | Z3/8 |
| 4.13 | 508598510010 | | Tank | 1 | | 0.4L-TP072A080-V |
| 4.14 | 508598520007 | | Hoop | 1 | | KG04 |
| 4.15 | 508598520008 | | Return Pipe | 1 | | RU10-060 |
| 4.16 | 505698520043 | | End Cap | 1 | | SP-09 |
| 4.17 | 505698520041 | | Valve | 1 | | RPCV-02-04 |
| 4.18 | 505698520037 | | End Cap | 1 | | SP-02 |
| 4.19 | 505698520038 | | Check Valve | 1 | | CV-03 |
| 4.20 | 910800100098 | | O-Ring | 1 | | 13.5x1.8 |
| 4.21 | 508598520009 | | Coupling | 1 | | DCP-312 |
| 4.22 | 508598520011 | | Switch | 1 | | DK0148B |
| 5 | 910200200033 | | Screw M6x12 | 4 | | |
| 6 | 507624020099 | | Pedestal | 1 | | Be sure to color your order |
| 7 | 508524020011 | | Cylinder Cover | 1 | | Be sure to color your order |
| 8 | 508524010000 | | Cylinder Assembly | 1 | | |

02 Hydraulic Components (PTE20N Pro)(507646023501) continuation



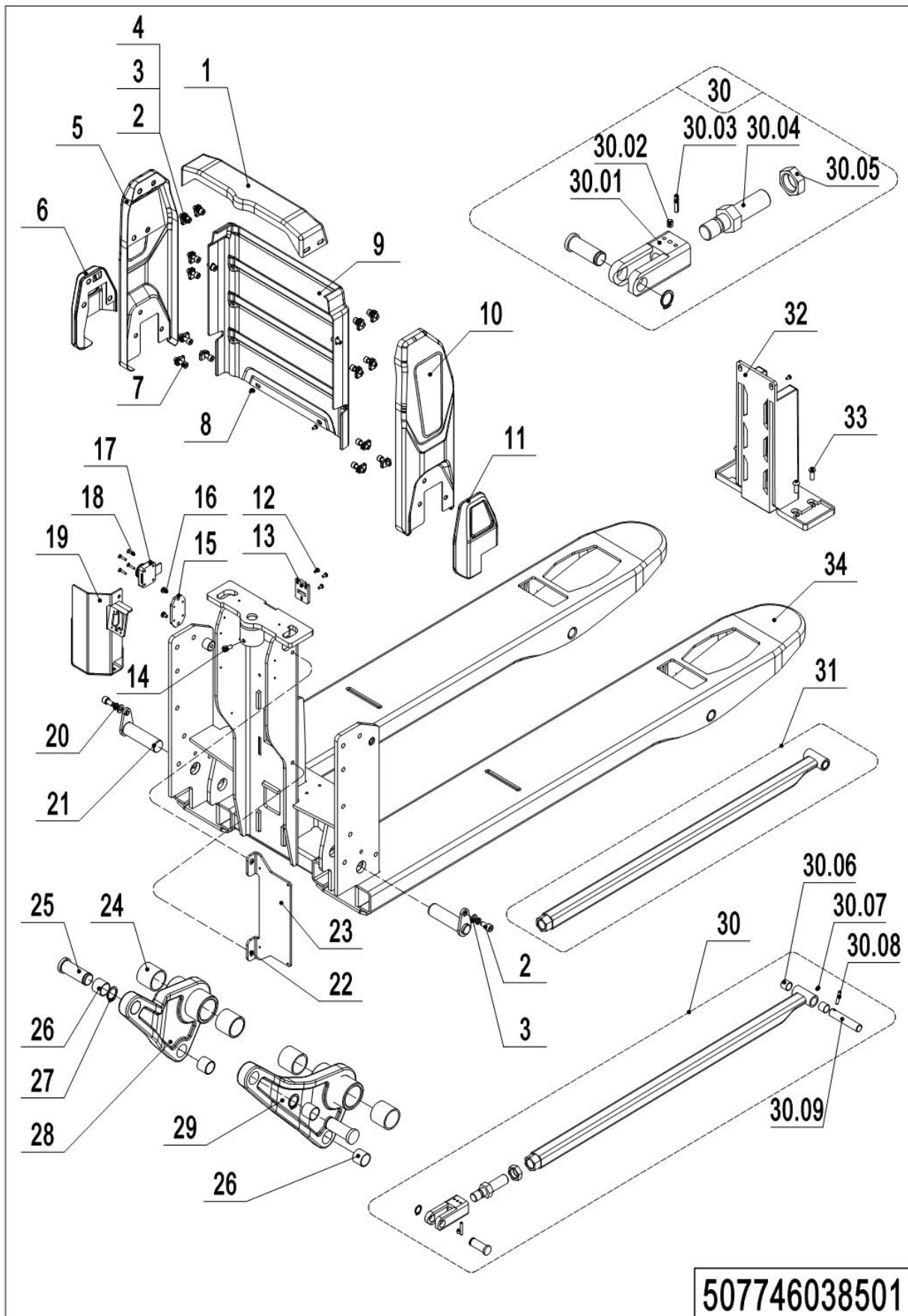
507646023501

02 Hydraulic Components (PTE20N Pro)(507646023501) continuation

| No. | Item Code | Mark | Item Description | Qty. | Substitute | Note |
|------|--------------|------|------------------|------|------------|------|
| 8.01 | 508598510005 | | Seal Kit | 1 | | |
| 8.02 | 508598510004 | | Seal Kit | 1 | | |
| 9 | 910200200036 | 1 | Screw M6x20 | 4 | | |
| 10 | 910400100005 | 1 | Flat Washer | 8 | | |
| 11 | 910200200078 | 1 | Screw M10x35 | 4 | | |
| 12 | 910300400008 | | Nut | 1 | | |
| 13 | 910200200160 | 1 | Screw M6x6 | 1 | | |

Chapter 3: Truck Frame

01 Truck Frame(PTE15N Pro) (507746038501)

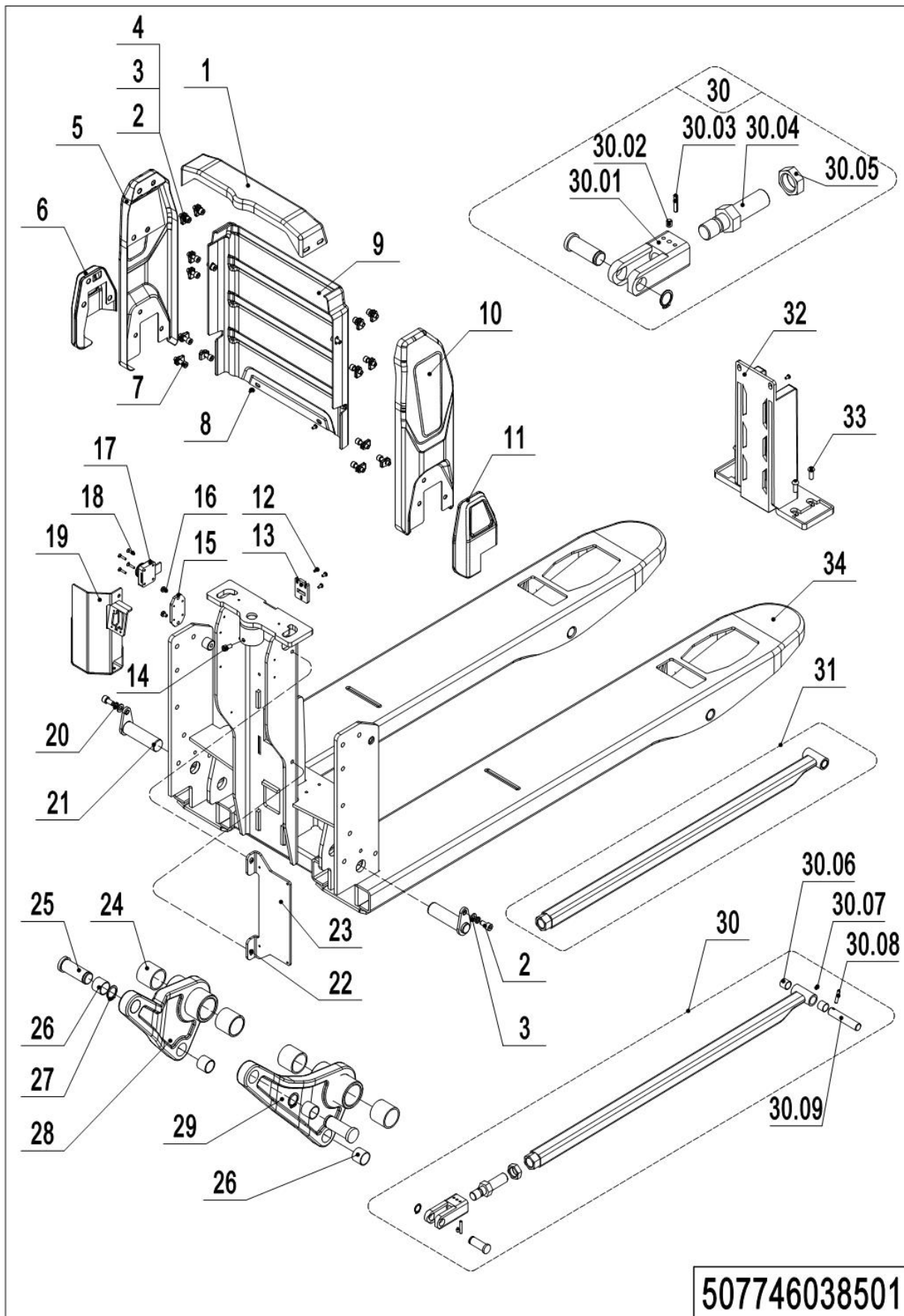


1= Supply as package. 2= Supply with constraints. 3= Phasing-out supply. 4= Supply as assembly. 5= Check other tables.

01 Truck Frame(PTE15N Pro) (507746038501)

| No. | Item Code | Mark | Item Description | Qty. | Substitute | Note |
|-----|--------------|------|------------------|------|------------|-----------------------------|
| 1 | 507738520081 | | Cover | 1 | | Be sure to color your order |
| 2 | 910200200055 | 1 | Screw M8x16 | 8 | | |
| 3 | 910400100021 | | Flat Washer | 8 | | |
| 4 | 940400400002 | | Cage Nut | 14 | | |
| 5 | 507738510094 | | Cover | 1 | | Be sure to color your order |
| 5 | 507738510096 | | Cover | 1 | | Fork height 75mm optional |
| 6 | 507738510090 | | Cover | 1 | | Be sure to color your order |
| 7 | 910200200157 | | Screw M8x25 | 10 | | |
| 8 | 910200300017 | 1 | Screw M6x12 | 2 | | |
| 9 | 507738520080 | | Front Panel | 1 | | Be sure to color your order |
| 10 | 507738510095 | | Cover | 1 | | Be sure to color your order |
| 10 | 507738510097 | | Cover | 1 | | Fork height 75mm optional |
| 11 | 507738510091 | | Cover | 1 | | Be sure to color your order |
| 12 | 910200500034 | 1 | Screw M4x8 | 3 | | |
| 13 | 508038520109 | | Lock Catch | 1 | | |
| 14 | 910200200171 | | Screw M6x10 | 1 | | |
| 15 | 507738520009 | | Mounting Plate | 1 | | |
| 16 | 910203100001 | | Screw M6x10 | 2 | | |
| 17 | 507738510051 | | Coded Lock | 1 | | |
| 18 | 910203000001 | | Screw M4x20 | 4 | | |
| 19 | 507738510054 | | Wire Box | 1 | | |
| 20 | 910400500006 | | Spring Washer | 2 | | |
| 21 | 507738510050 | 1 | Pin | 2 | | |
| 22 | 910200200013 | | Screw M4x10 | 2 | | |
| 23 | 507738520017 | | Mounting Plate | 1 | | |
| 24 | 940500100097 | | Bushing | 4 | | |
| 25 | 508038520041 | | Pin | 4 | | |
| 26 | 940500100083 | | Bushing | 4 | | |
| 27 | 910401300007 | | Circlip | 4 | | |
| 28 | 510838510003 | | Rise Arm | 1 | | |

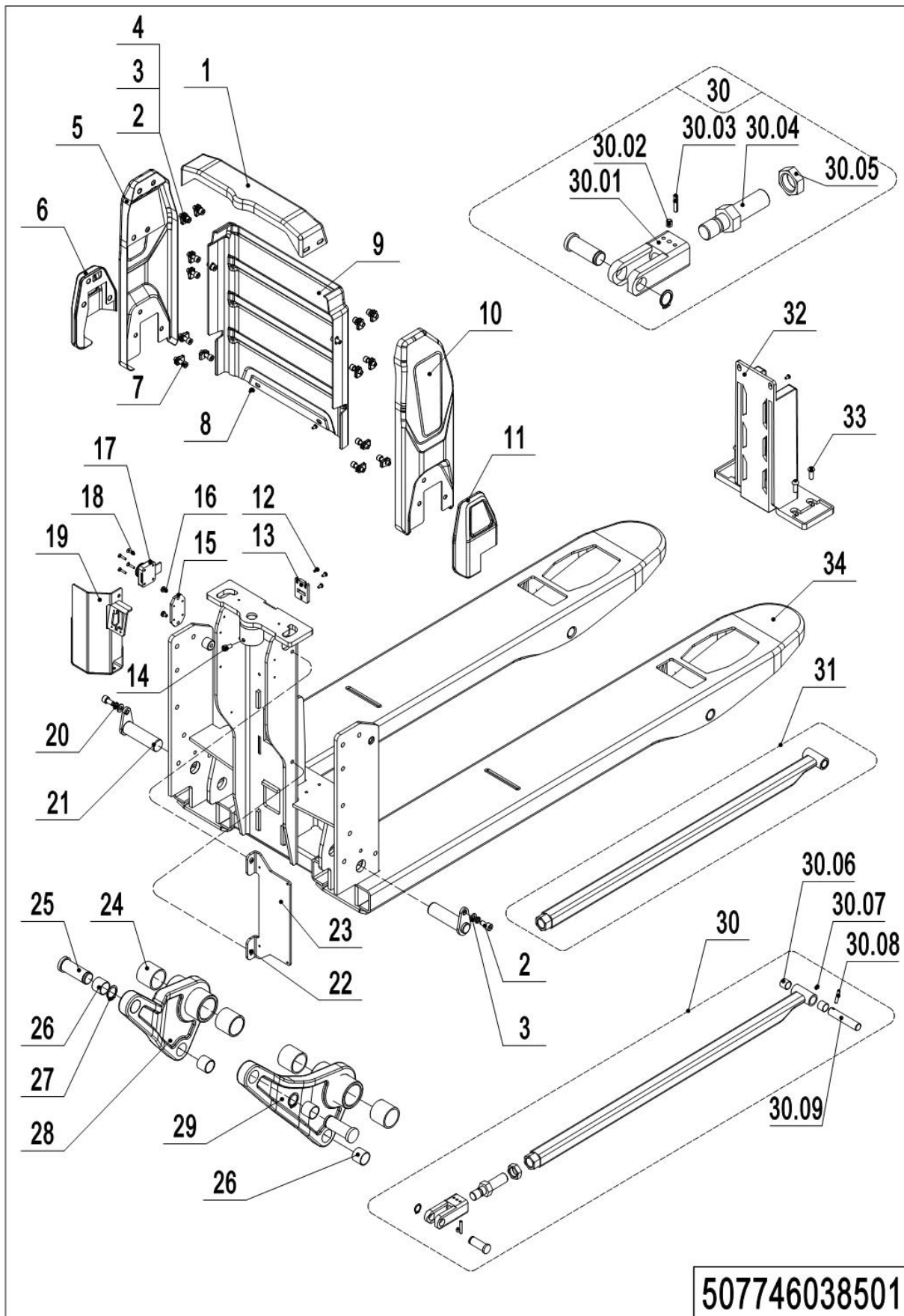
01 Truck Frame(PTE15N Pro)(507746038501) Continuation



01 Truck Frame(PTE15N Pro)(507746038501) Continuation

| No. | Item Code | Mark | Item Description | Qty. | Substitute | Note |
|-------|--------------|------|-----------------------|------|------------|---------------------------|
| 29 | 510838510002 | | Rise Arm | 1 | | |
| 30 | 508098510038 | | Push Rod Kit(800) | 2 | | |
| 30 | 508098510006 | | Push Rod Kit(915) | 2 | | |
| 30 | 508098510043 | | Push Rod Kit(1000) | 2 | | |
| 30 | 508098510122 | | Push Rod Kit(1070) | 2 | | |
| 30 | 507798510002 | | Push Rod Kit(1150) | 2 | | |
| 30 | 508098510044 | | Push Rod Kit(1220) | 2 | | |
| 30.01 | 508038520028 | | Push Rod Fork | 2 | | |
| 30.02 | 910201000005 | 1 | Screw M6x8 | 2 | | |
| 30.03 | 910600500001 | 1 | Spring Pin 4x32 | 4 | | |
| 30.04 | 508038520029 | | Adjusting Rod | 2 | | |
| 30.05 | 910300400008 | 1 | Nut | 2 | | |
| 30.06 | 940500100083 | | Bushing | 4 | | |
| 30.07 | 911200100001 | 1 | Oil Cup | 2 | | |
| 30.08 | 910600500002 | 1 | Spring Pin 5x28 | 2 | | |
| 30.09 | 502338520030 | | Push Rod Axle | 2 | | |
| 31 | 508038510016 | 2 | Push Rod (800) | 2 | | |
| 31 | 508038510014 | 2 | Push Rod (915) | 2 | | |
| 31 | 508038510017 | 2 | Push Rod (1000) | 2 | | |
| 31 | 508038530018 | 2 | Push Rod (1070) | 2 | | |
| 31 | 508038510011 | 2 | Push Rod (1150) | 2 | | |
| 31 | 508038510024 | 2 | Push Rod (1220) | 2 | | |
| 32 | 920600100436 | | Guiding Column | 1 | | |
| 33 | 910200300018 | | Screw M6x16 | 6 | | |
| 34 | 507738510005 | 2 | Chassis(540x800) | 1 | | |
| 34 | 507738510007 | 2 | Chassis(540x915) | 1 | | |
| 34 | 507738510009 | 2 | Chassis(540x1000) | 1 | | |
| 34 | 507738510011 | 2 | Chassis(540x1070) | 1 | | |
| 34 | 507738510001 | 2 | Chassis(540x1150) | 1 | | |
| 34 | 507738510003 | 2 | Chassis(540x1220) | 1 | | |
| 34 | 507738510104 | 2 | Chassis(75mm,540x800) | 1 | | Fork height 75mm optional |

01 Truck Frame(PTE15N Pro)(507746038501) Continuation

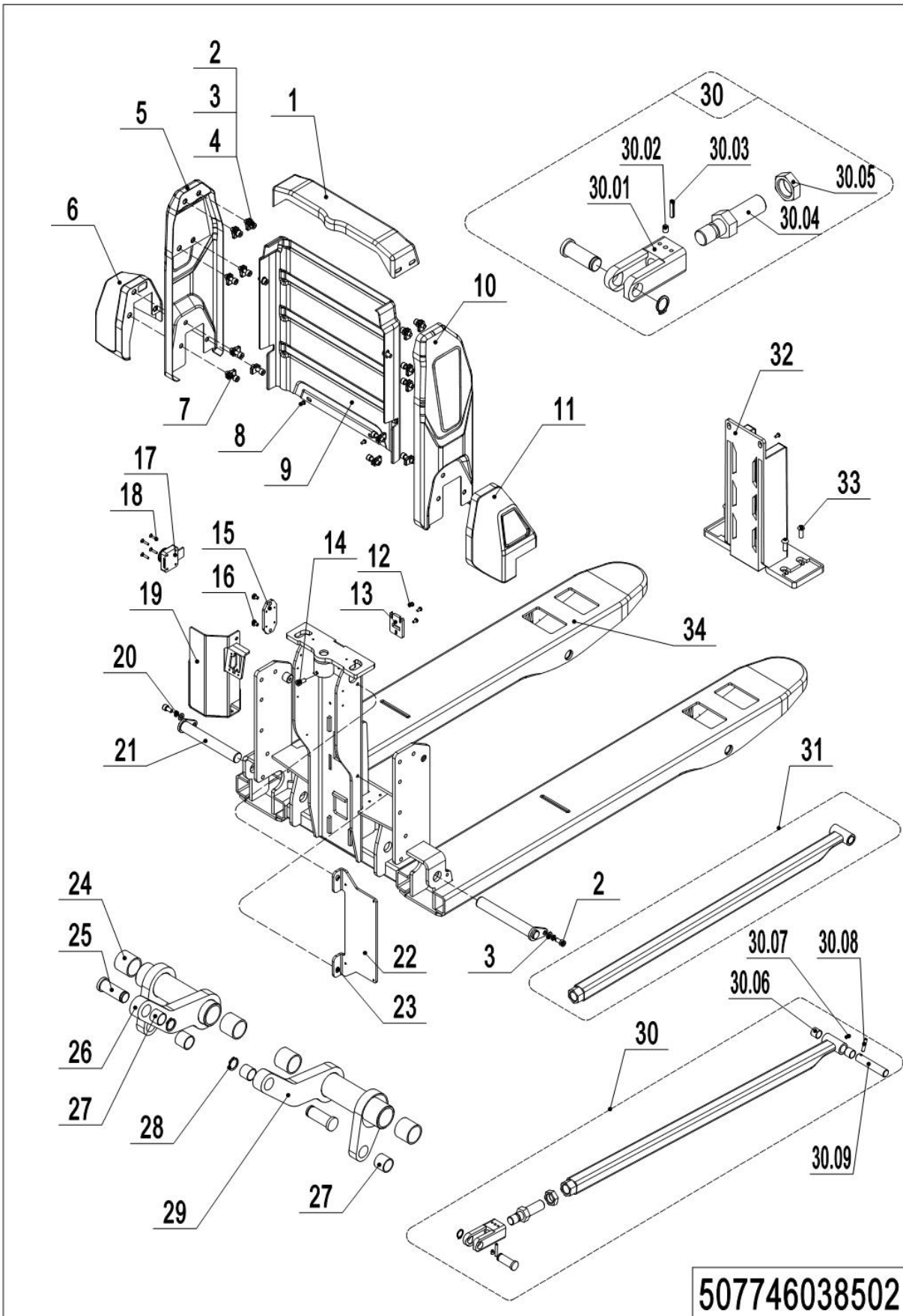


1= Supply as package. 2= Supply with constraints. 3= Phasing-out supply. 4= Supply as assembly. 5= Check other tables.

01 Truck Frame(PTE15N Pro)(507746038501) Continuation

| No. | Item Code | Mark | Item Description | Qty. | Substitute | Note |
|-----|--------------|------|------------------------|------|------------|---------------------------|
| 34 | 507738510106 | 2 | Chassis(75mm,540x915) | 1 | | Fork height 75mm optional |
| 34 | 507738510108 | 2 | Chassis(75mm,540x1000) | 1 | | Fork height 75mm optional |
| 34 | 507738510110 | 2 | Chassis(75mm,540x1070) | 1 | | Fork height 75mm optional |
| 34 | 507738510100 | 2 | Chassis(75mm,540x1150) | 1 | | Fork height 75mm optional |
| 34 | 507738510102 | 2 | Chassis(75mm,540x1220) | 1 | | Fork height 75mm optional |

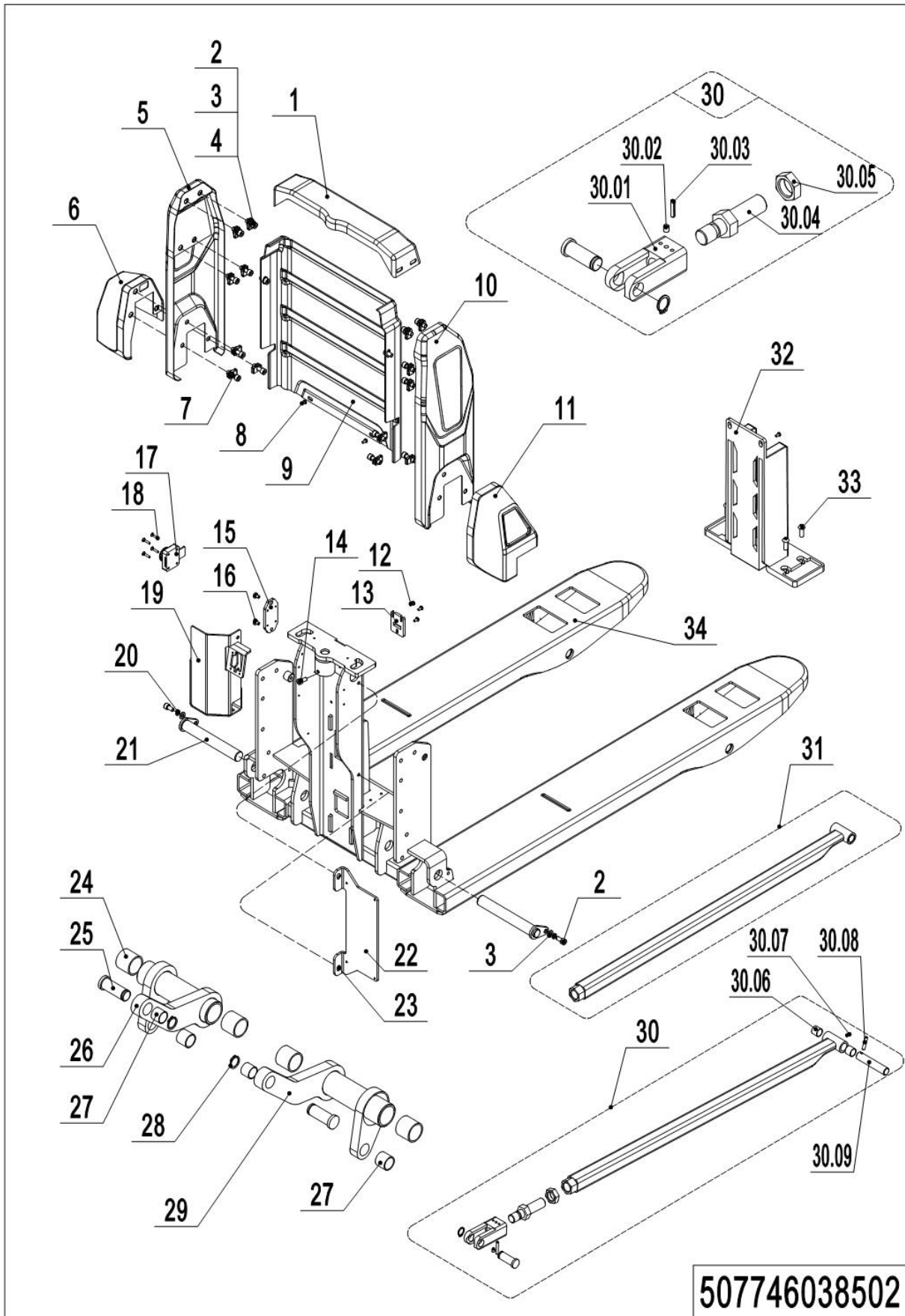
02 Truck Frame(PTE15N Pro) (507746038502)



02 Truck Frame(PTE15N Pro) (507746038502)

| No. | Item Code | Mark | Item Description | Qty. | Substitute | Note |
|-----|--------------|------|------------------|------|------------|-----------------------------|
| 1 | 507738520081 | | Cover | 1 | | |
| 2 | 910200200055 | 1 | Screw M8x16 | 8 | | |
| 3 | 910400100021 | | Flat Washer | 8 | | Be sure to color your order |
| 4 | 940400400002 | | Cage Nut | 14 | | Be sure to color your order |
| 5 | 507738510094 | | Cover | 1 | | |
| 5 | 507738510096 | | Cover | 1 | | Fork height 75mm optional |
| 6 | 507738510092 | | Cover | 1 | | |
| 7 | 910200200157 | | Screw M8x25 | 10 | | |
| 8 | 910200300017 | 1 | Screw M6x12 | 2 | | Be sure to color your order |
| 9 | 507738520080 | | Front Panel | 1 | | Be sure to color your order |
| 10 | 507738510095 | | Cover | 1 | | |
| 10 | 507738510097 | | Cover | 1 | | Fork height 75mm optional |
| 11 | 507738510093 | | Cover | 1 | | |
| 12 | 910200500034 | 1 | Screw M4x8 | 3 | | |
| 13 | 508038520109 | | Lock Catch | 1 | | |
| 14 | 910200200171 | | Screw M6x10 | 1 | | |
| 15 | 507738520009 | | Mounting Plate | 1 | | |
| 16 | 910203100001 | | Screw M6x10 | 2 | | |
| 17 | 507738510051 | | Coded Lock | 1 | | |
| 18 | 910203000001 | | Screw M4x20 | 4 | | |
| 19 | 507738510054 | | Wire Box | 1 | | |
| 20 | 910400500006 | | Spring Washer | 2 | | |
| 21 | 507738510053 | | Pin | 2 | | |
| 22 | 507738520017 | | Mounting Plate | 1 | | |
| 23 | 910200200013 | | Screw M4x10 | 2 | | |
| 24 | 940500100097 | | Bushing | 4 | | |
| 25 | 508038520041 | | Pin | 4 | | |
| 26 | 510838510005 | | Rise Arm | 1 | | |
| 27 | 940500100083 | | Bushing | 8 | | |
| 28 | 910401300007 | | Circlip | 4 | | |
| 29 | 510838510004 | | Rise Arm | 1 | | |

02 Truck Frame(PTE15N Pro) (507746038502) Continuation

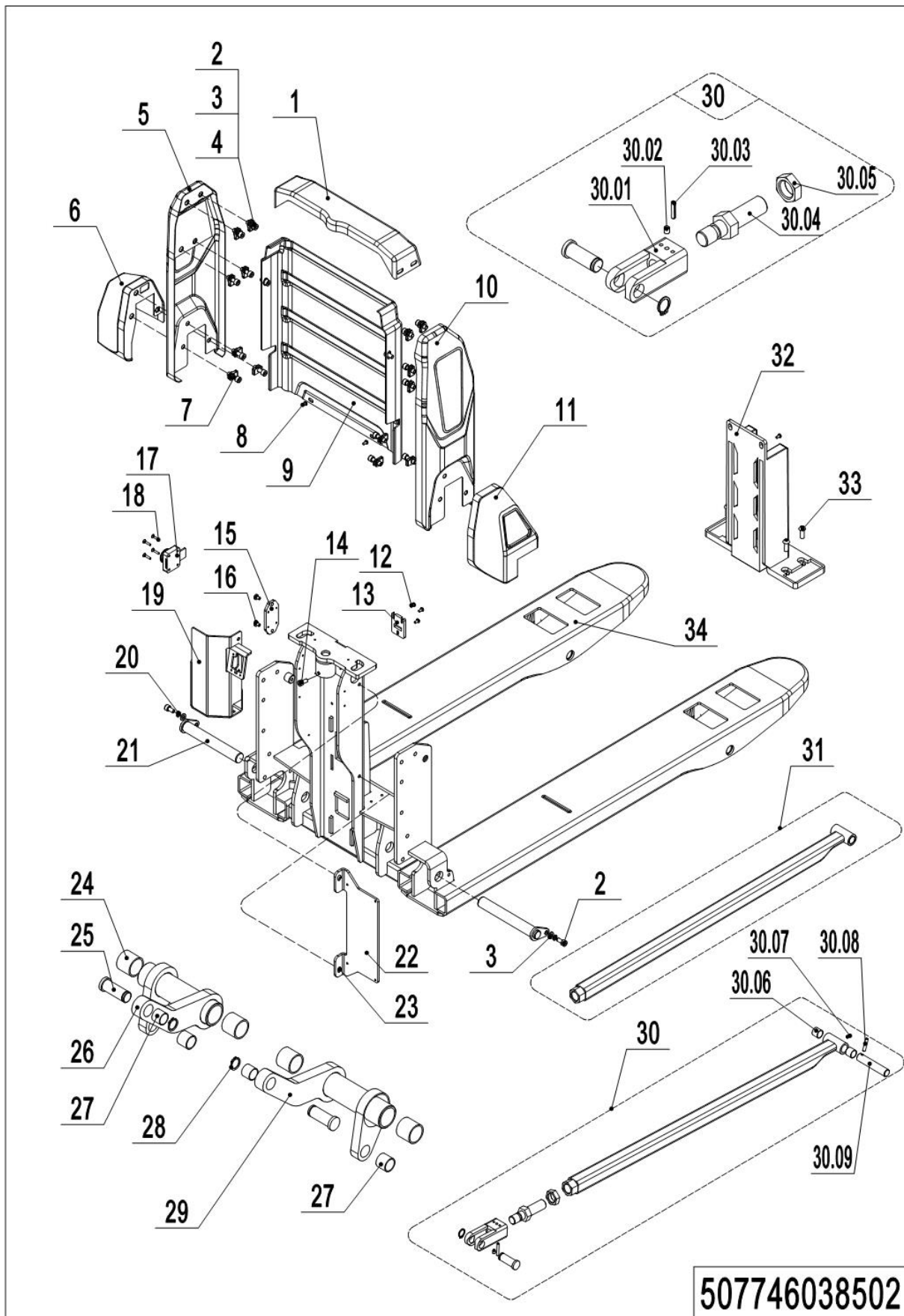


1= Supply as package. 2= Supply with constraints. 3= Phasing-out supply. 4= Supply as assembly. 5= Check other tables.

02 Truck Frame(PTE15N Pro) (507746038502) Continuation

| No. | Item Code | Mark | Item Description | Qty. | Substitute | Note |
|-------|--------------|------|-----------------------|------|------------|------------------------------|
| 30 | 508098510038 | | Push Rod Kit(800) | 2 | | |
| 30 | 508098510006 | | Push Rod Kit(915) | 2 | | |
| 30 | 508098510043 | | Push Rod Kit(1000) | 2 | | |
| 30 | 508098510122 | | Push Rod Kit(1070) | 2 | | |
| 30 | 507798510002 | | Push Rod Kit(1150) | 2 | | |
| 30 | 508098510044 | | Push Rod Kit(1220) | 2 | | |
| 30.01 | 508038520028 | | Push Rod Fork | 2 | | |
| 30.02 | 910201000005 | 1 | Screw M6x8 | 2 | | |
| 30.03 | 910600500001 | 1 | Spring Pin 4x32 | 4 | | |
| 30.04 | 508038520029 | | Adjusting Rod | 2 | | |
| 30.05 | 910300400008 | 1 | Nut | 2 | | |
| 30.06 | 940500100083 | | Bushing | 4 | | |
| 30.07 | 911200100001 | 1 | Oil Cup | 2 | | |
| 30.08 | 910600400024 | 1 | Spring Pin 5x28 | 2 | | |
| 30.09 | 502338520030 | | Push Rod Axle | 2 | | |
| 31 | 508038510016 | 2 | Push Rod (800) | 2 | | |
| 31 | 508038510014 | 2 | Push Rod (915) | 2 | | |
| 31 | 508038510017 | 2 | Push Rod (1000) | 2 | | |
| 31 | 508038530018 | 2 | Push Rod (1070) | 2 | | |
| 31 | 508038510011 | 2 | Push Rod (1150) | 2 | | |
| 31 | 508038510024 | 2 | Push Rod (1220) | 2 | | |
| 32 | 920600100436 | | Guiding Column | 1 | | |
| 33 | 910200300018 | | Screw M6x16 | 6 | | |
| 34 | 507738510006 | 2 | Chassis(685x800) | 1 | | |
| 34 | 507738510008 | 2 | Chassis(685x915) | 1 | | |
| 34 | 507738510010 | 2 | Chassis(685x1000) | 1 | | |
| 34 | 507738510012 | 2 | Chassis(685x1070) | 1 | | |
| 34 | 507738510002 | 2 | Chassis(685x1150) | 1 | | |
| 34 | 507738510004 | 2 | Chassis(685x1220) | 1 | | |
| 34 | 507738510105 | 2 | Chassis(75mm,685x800) | 1 | | Fork height 75mm optional |
| 34 | 507738510107 | 2 | Chassis(75mm,685x915) | 1 | | Fork height 75mm optional |

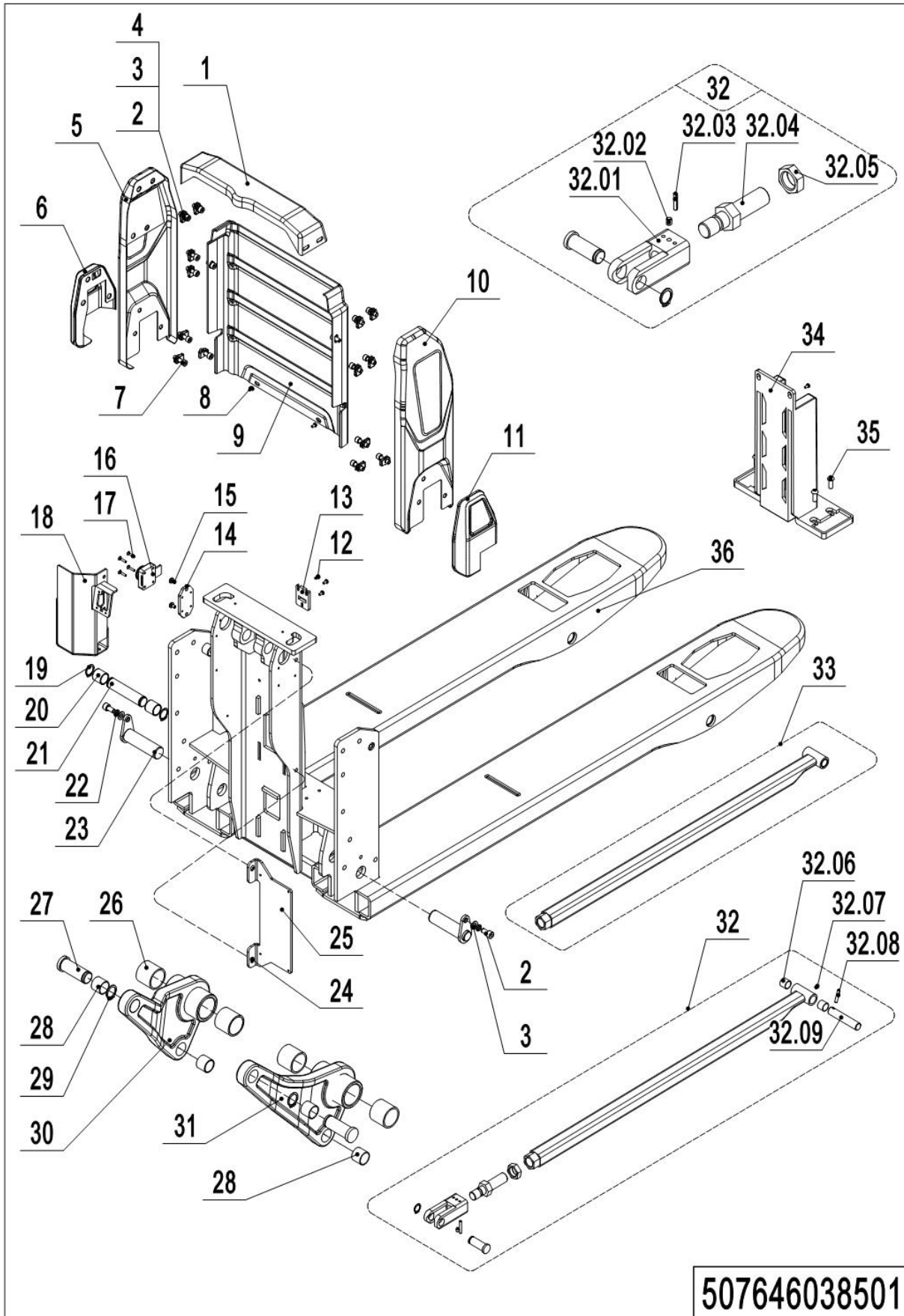
02 Truck Frame(PTE15N Pro) (507746038502) Continuation



02 Truck Frame(PTE15N Pro) (507746038502) Continuation

| No. | Item Code | Mark | Item Description | Qty. | Substitute | Note |
|-----|--------------|------|------------------------|------|------------|---------------------------|
| 34 | 507738510109 | 2 | Chassis(75mm,685x1000) | 1 | | Fork height 75mm optional |
| 34 | 507738510110 | 2 | Chassis(75mm,540x1070) | 1 | | Fork height 75mm optional |
| 34 | 507738510101 | 2 | Chassis(75mm,685x1150) | 1 | | Fork height 75mm optional |
| 34 | 507738510103 | 2 | Chassis(75mm,685x1220) | 1 | | Fork height 75mm optional |

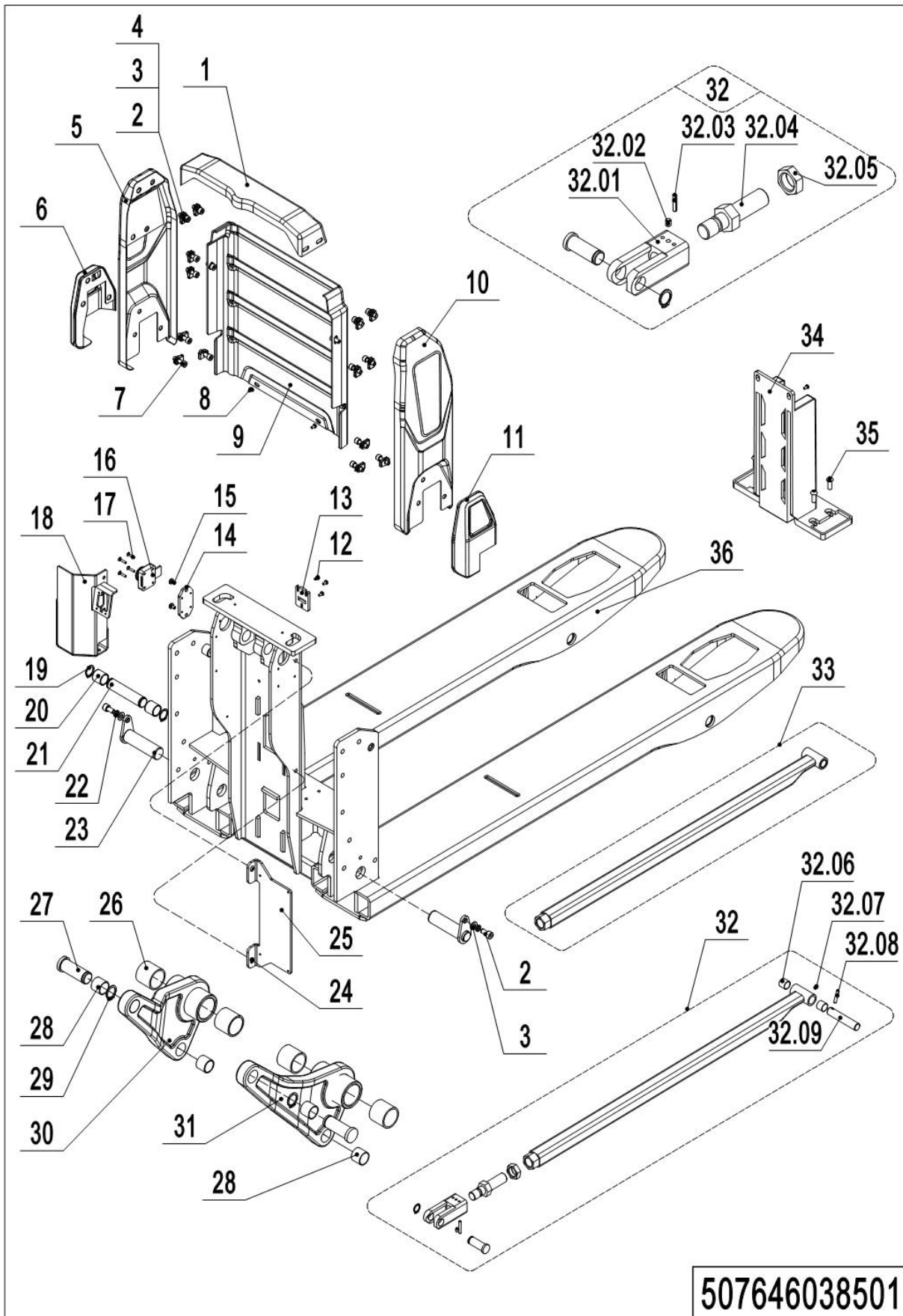
03 Truck Frame(PTE20N Pro)(507646038501)



03 Truck Frame(PTE20N Pro)(507646038501)

| No. | Item Code | Mark | Item Description | Qty. | Substitute | Note |
|-----|--------------|------|------------------|------|------------|-----------------------------|
| 1 | 507738520081 | | Cover | 1 | | Be sure to color your order |
| 2 | 910200200055 | 1 | Screw M8x16 | 8 | | |
| 3 | 910400100021 | | Flat Washer | 8 | | |
| 4 | 940400400002 | | Cage Nut | 14 | | |
| 5 | 507738510094 | | Cover | 1 | | Be sure to color your order |
| 6 | 507738510090 | | Cover | 1 | | Be sure to color your order |
| 7 | 910200200157 | | Screw M8x25 | 10 | | |
| 8 | 910200300017 | 1 | Screw M6x12 | 2 | | |
| 9 | 507738520080 | | Front Panel | 1 | | |
| 10 | 507738510095 | | Cover | 1 | | Be sure to color your order |
| 11 | 507738510091 | | Cover | 1 | | Be sure to color your order |
| 12 | 910200500034 | 1 | Screw M4x8 | 3 | | |
| 13 | 508038520109 | | Lock Catch | 1 | | |
| 14 | 507738520009 | | Mounting Plate | 1 | | |
| 15 | 910203100001 | | Screw M6x10 | 2 | | |
| 16 | 507738510051 | | Coded Lock | 1 | | |
| 17 | 910203000001 | | Screw M4x20 | 4 | | |
| 18 | 507738510054 | | Wire Box | 1 | | |
| 19 | 910401300011 | | Circlip | 2 | | |
| 20 | 940500100096 | | Bushing | 2 | | |
| 21 | 508538520016 | | Pin | 1 | | |
| 22 | 910400500006 | | Spring Washer | 2 | | |
| 23 | 507738510050 | | Pin | 2 | | |
| 24 | 910200200013 | | Screw M4x10 | 2 | | |
| 25 | 507738520017 | | Mounting Plate | 1 | | |
| 26 | 940500100097 | | Bushing | 4 | | |
| 27 | 508038520041 | | Pin | 4 | | |
| 28 | 940500100083 | | Bushing | 4 | | |
| 29 | 910401300007 | | Circlip | 4 | | |
| 30 | 510838510003 | | Rise Arm | 1 | | |
| 31 | 510838510002 | | Rise Arm | 1 | | |

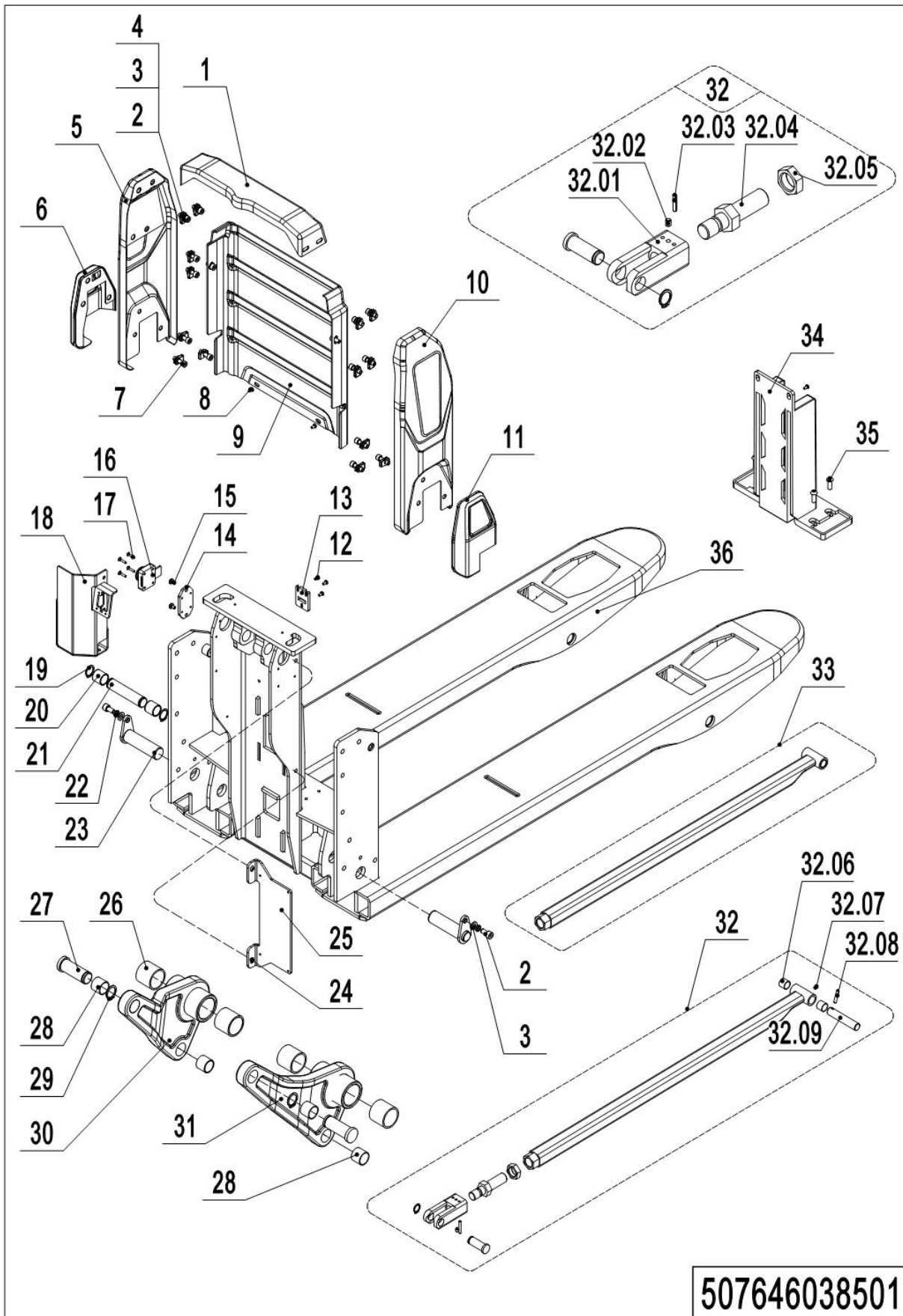
03 Truck Frame(PTE20N Pro)(507646038501) Continuation



03 Truck Frame(PTE20N Pro)(507646038501) Continuation

| No. | Item Code | Mark | Item Description | Qty. | Substitute | Note |
|-------|--------------|------|--------------------|------|------------|---------------------------|
| 32 | 508098510038 | | Push Rod Kit(800) | 2 | | |
| 32 | 508098510006 | | Push Rod Kit(915) | 2 | | |
| 32 | 508098510043 | | Push Rod Kit(1000) | 2 | | |
| 32 | 508098510122 | | Push Rod Kit(1070) | 2 | | |
| 32 | 507798510002 | | Push Rod Kit(1150) | 2 | | |
| 32 | 508098510044 | | Push Rod Kit(1220) | 2 | | |
| 32.01 | 508038520028 | | Push Rod Fork | 2 | | |
| 32.02 | 910201000005 | 1 | Screw M6x8 | 2 | | |
| 32.03 | 910600500001 | 1 | Spring Pin 4x32 | 4 | | |
| 32.04 | 508038520029 | | Adjusting Rod | 2 | | |
| 32.05 | 910300400008 | 1 | Nut | 2 | | |
| 32.06 | 940500100083 | | Bushing | 4 | | |
| 32.07 | 911200100001 | 1 | Oil Cup | 2 | | |
| 32.08 | 910600500002 | 1 | Spring Pin 5x28 | 2 | | |
| 32.09 | 502338520030 | | Push Rod Axle | 2 | | |
| 33 | 508038510016 | 2 | Push Rod (800) | 2 | | |
| 33 | 508038510014 | 2 | Push Rod (915) | 2 | | |
| 33 | 508038510017 | 2 | Push Rod (1000) | 2 | | |
| 33 | 508038530018 | 2 | Push Rod (1070) | 2 | | |
| 33 | 508038510011 | 2 | Push Rod (1150) | 2 | | |
| 33 | 508038510024 | 2 | Push Rod (1220) | 2 | | |
| 33 | 507638510104 | | Push Rod (800) | 2 | | Fork height 75mm optional |
| 33 | 507638510105 | | Push Rod (915) | 2 | | Fork height 75mm optional |
| 33 | 507638510106 | | Push Rod (1000) | 2 | | Fork height 75mm optional |
| 33 | 507638510107 | | Push Rod (1070) | 2 | | Fork height 75mm optional |
| 33 | 507638510102 | | Push Rod (1150) | 2 | | Fork height 75mm optional |
| 33 | 507638510103 | | Push Rod (1220) | 2 | | Fork height 75mm optional |
| 34 | 920600100436 | | Guiding Column | 1 | | |
| 35 | 910200300018 | | Screw M6x16 | 6 | | |
| 36 | 507638510005 | 2 | Chassis(540x800) | 1 | | |
| 36 | 507638510007 | 2 | Chassis(540x915) | 1 | | |

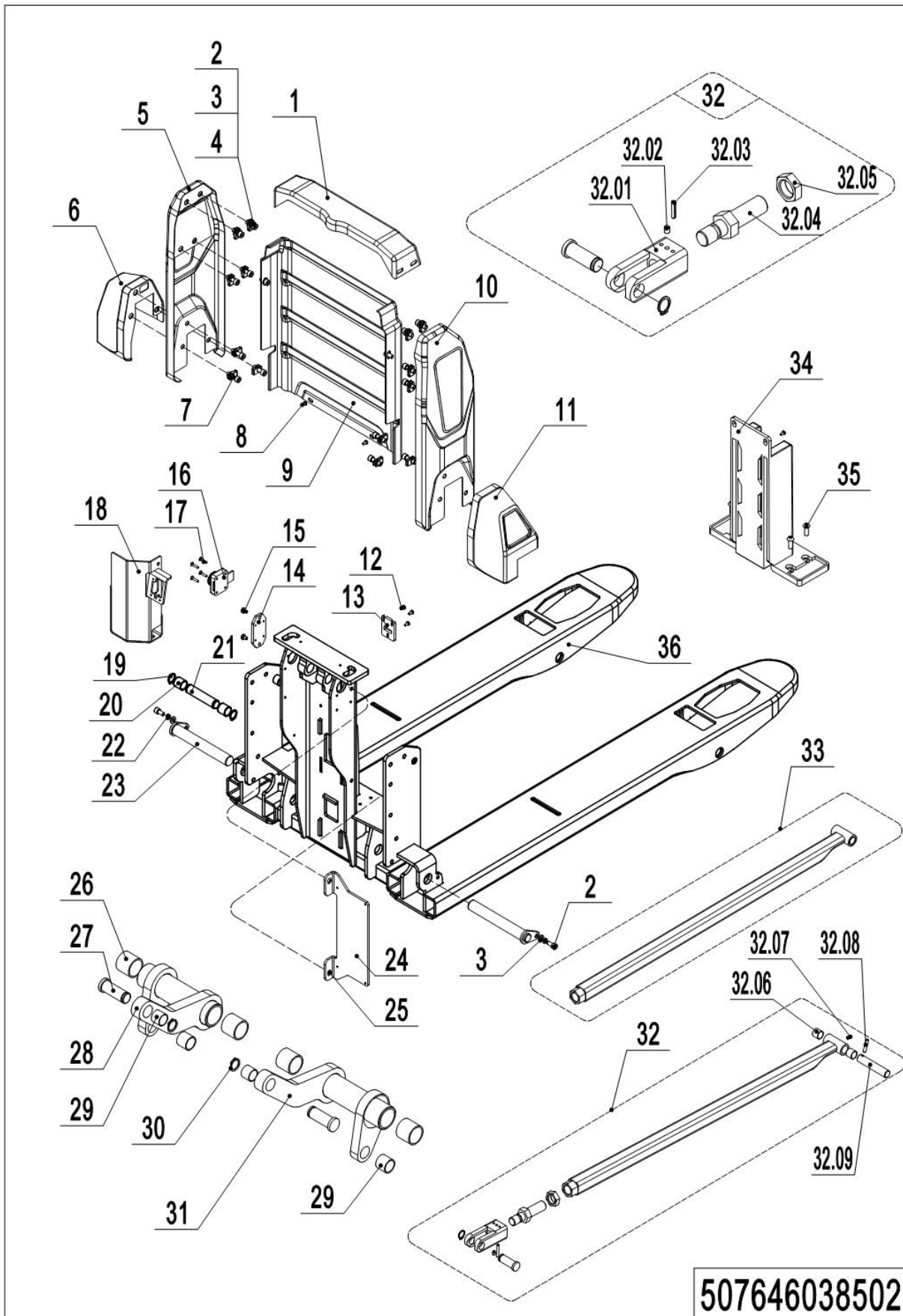
03 Truck Frame(PTE20N Pro)(507646038501) Continuation



03 Truck Frame(PTE20N Pro)(507646038501) Continuation

| No. | Item Code | Mark | Item Description | Qty. | Substitute | Note |
|-----|--------------|------|------------------------|------|------------|------------------------------|
| 36 | 507638510009 | 2 | Chassis(540x1000) | 1 | | |
| 36 | 507638510011 | 2 | Chassis(540x1070) | 1 | | |
| 36 | 507638510001 | 2 | Chassis(540x1150) | 1 | | |
| 36 | 507638510003 | 2 | Chassis(540x1220) | 1 | | |
| 36 | 507638510110 | | Chassis(75mm,540x800) | 1 | | Fork height 75mm optional |
| 36 | 507638510112 | | Chassis(75mm,540x915) | 1 | | Fork height 75mm optional |
| 36 | 507638510114 | | Chassis(75mm,540x1000) | 1 | | Fork height 75mm optional |
| 36 | 507638510116 | | Chassis(75mm,540x1070) | 1 | | Fork height 75mm optional |
| 36 | 507638510100 | | Chassis(75mm,540x1150) | 1 | | Fork height 75mm optional |
| 36 | 507638510108 | | Chassis(75mm,540x1220) | 1 | | Fork height 75mm optional |

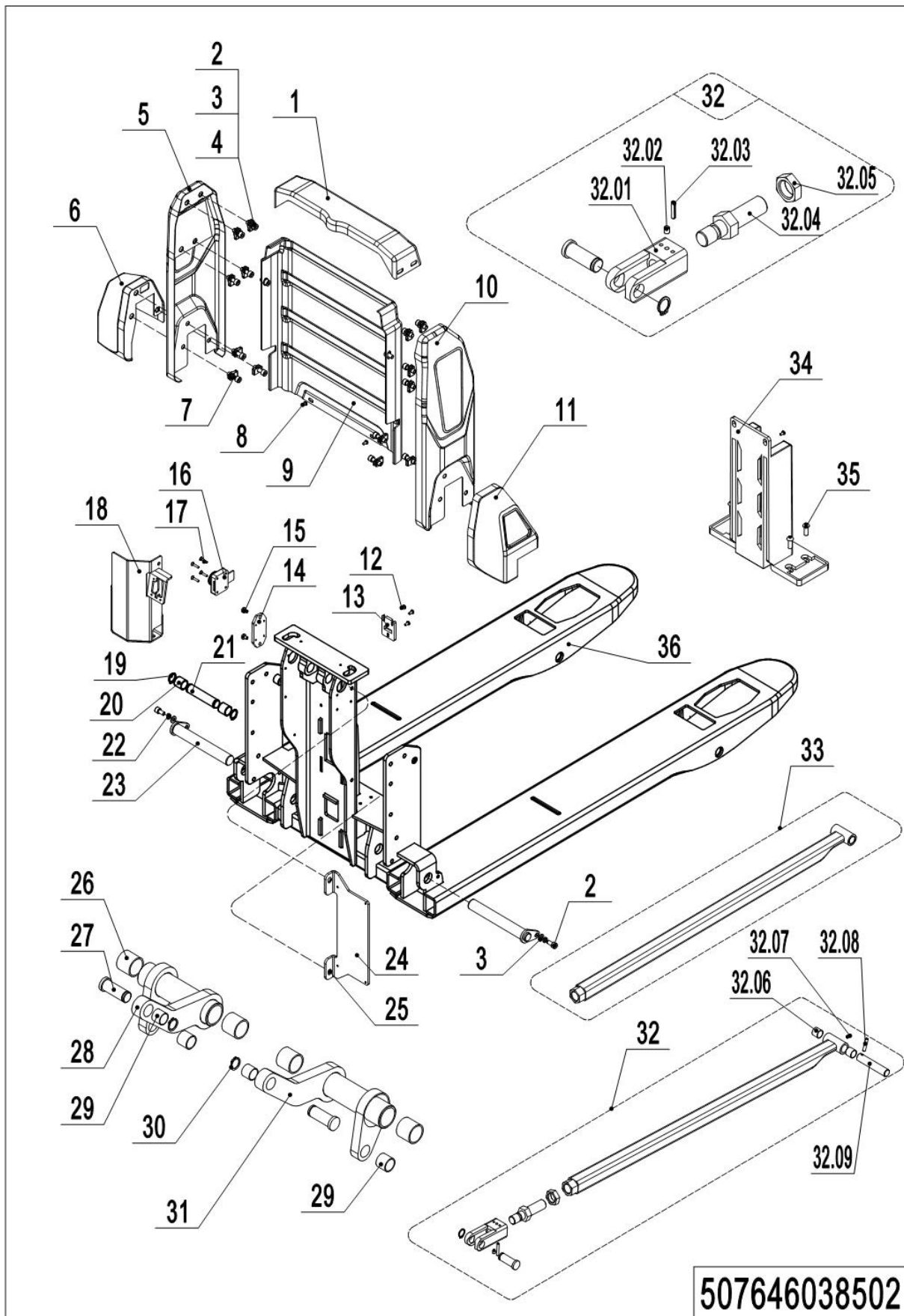
04 Truck Frame(PTE20N Pro)(507646038502)



04 Truck Frame(PTE20N Pro)(507646038502)

| No. | Item Code | Mark | Item Description | Qty. | Substitute | Note |
|-----|--------------|------|------------------|------|------------|-----------------------------|
| 1 | 507738520081 | | Cover | 1 | | |
| 2 | 910200200055 | 1 | Screw M8x16 | 8 | | |
| 3 | 910400100021 | | Flat Washer | 8 | | |
| 4 | 940400400002 | | Cage Nut | 14 | | |
| 5 | 507738510094 | | Cover | 1 | | Be sure to color your order |
| 6 | 507738510092 | | Cover | 1 | | Be sure to color your order |
| 7 | 910200200157 | | Screw M8x25 | 10 | | |
| 8 | 910200300017 | 1 | Screw M6x12 | 2 | | |
| 9 | 507738520080 | | Front Panel | 1 | | |
| 10 | 507738510095 | | Cover | 1 | | Be sure to color your order |
| 11 | 507738510093 | | Cover | 1 | | |
| 12 | 910200500034 | 1 | Screw M4x8 | 3 | | |
| 13 | 508038520109 | | Lock Catch | 1 | | Be sure to color your order |
| 14 | 507738520009 | | Mounting Plate | 1 | | |
| 15 | 910203100001 | | Screw M6x10 | 2 | | |
| 16 | 507738510051 | | Coded Lock | 1 | | |
| 17 | 910203000001 | | Screw M4x20 | 4 | | |
| 18 | 507738510054 | | Wire Box | 1 | | |
| 19 | 910401300011 | | Circlip | 2 | | |
| 20 | 940500100096 | | Bushing | 2 | | |
| 21 | 508538520016 | | Pin | 1 | | |
| 22 | 910400500006 | | Spring Washer | 2 | | |
| 23 | 507738510053 | | Pin | 2 | | |
| 24 | 507738520017 | | Mounting Plate | 1 | | |
| 25 | 910200200013 | | Screw M4x10 | 2 | | |
| 26 | 940500100097 | | Bushing | 4 | | |
| 27 | 508038520041 | | Pin | 4 | | |
| 28 | 510838510005 | | Rise Arm | 1 | | |
| 29 | 940500100083 | | Bushing | 8 | | |
| 30 | 910401300007 | | Circlip | 4 | | |
| 31 | 510838510004 | | Rise Arm | 1 | | |

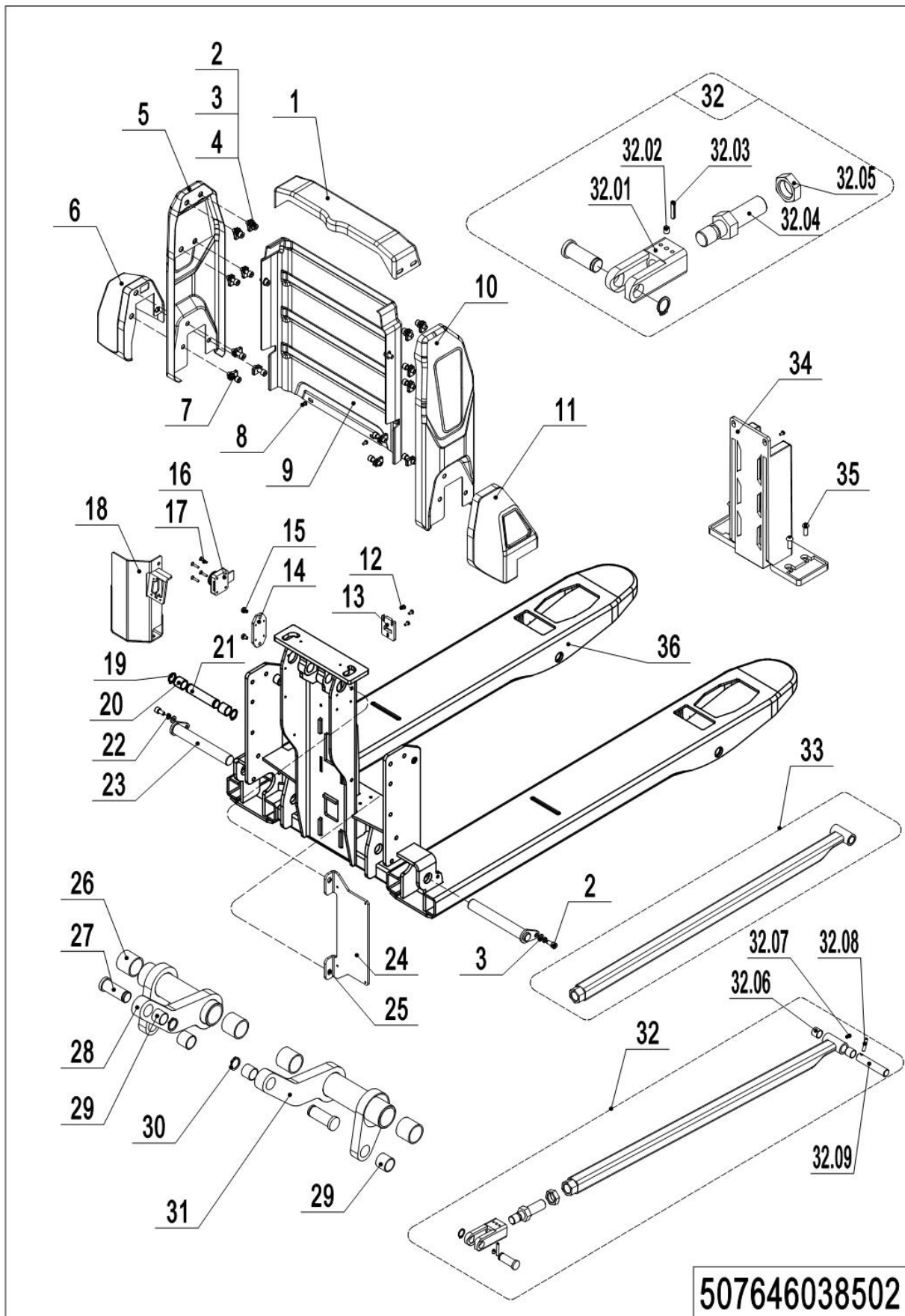
04 Truck Frame(PTE20N Pro)(507646038502) Continuation



04 Truck Frame(PTE20N Pro)(507646038502) Continuation

| No. | Item Code | Mark | Item Description | Qty. | Substitute | Note |
|-------|--------------|------|--------------------|------|------------|---------------------------|
| 32 | 508098510038 | | Push Rod Kit(800) | 2 | | |
| 32 | 508098510006 | | Push Rod Kit(915) | 2 | | |
| 32 | 508098510043 | | Push Rod Kit(1000) | 2 | | |
| 32 | 508098510122 | | Push Rod Kit(1070) | 2 | | |
| 32 | 507798510002 | | Push Rod Kit(1150) | 2 | | |
| 32 | 508098510044 | | Push Rod Kit(1220) | 2 | | |
| 32.01 | 508038520028 | | Push Rod Fork | 2 | | |
| 32.02 | 910201000005 | 1 | Screw M6x8 | 2 | | |
| 32.03 | 910600500001 | 1 | Spring Pin 4x32 | 4 | | |
| 32.04 | 508038520029 | | Adjusting Rod | 2 | | |
| 32.05 | 910300400008 | 1 | Nut | 2 | | |
| 32.06 | 940500100083 | | Bushing | 4 | | |
| 32.07 | 911200100001 | 1 | Oil Cup | 2 | | |
| 32.08 | 910600400024 | 1 | Spring Pin 5x28 | 2 | | |
| 32.09 | 502338520030 | | Push Rod Axle | 2 | | |
| 33 | 508038510016 | 2 | Push Rod (800) | 2 | | |
| 33 | 508038510014 | 2 | Push Rod (915) | 2 | | |
| 33 | 508038510017 | 2 | Push Rod (1000) | 2 | | |
| 33 | 508038530018 | 2 | Push Rod (1070) | 2 | | |
| 33 | 508038510011 | 2 | Push Rod (1150) | 2 | | |
| 33 | 508038510024 | 2 | Push Rod (1220) | 2 | | |
| 33 | 507638510104 | | Push Rod (800) | 2 | | Fork height 75mm optional |
| 33 | 507638510105 | | Push Rod (915) | 2 | | Fork height 75mm optional |
| 33 | 507638510106 | | Push Rod (1000) | 2 | | Fork height 75mm optional |
| 33 | 507638510107 | | Push Rod (1070) | 2 | | Fork height 75mm optional |
| 33 | 507638510102 | | Push Rod (1150) | 2 | | Fork height 75mm optional |
| 33 | 507638510103 | | Push Rod (1220) | 2 | | Fork height 75mm optional |
| 34 | 920600100436 | | Guiding Column | 1 | | |
| 35 | 910200300018 | | Screw M6x16 | 6 | | |
| 36 | 507638510006 | 2 | Chassis(685x800) | 1 | | |
| 36 | 507638510008 | 2 | Chassis(685x915) | 1 | | |

04 Truck Frame(PTE20N Pro)(507646038502) Continuation

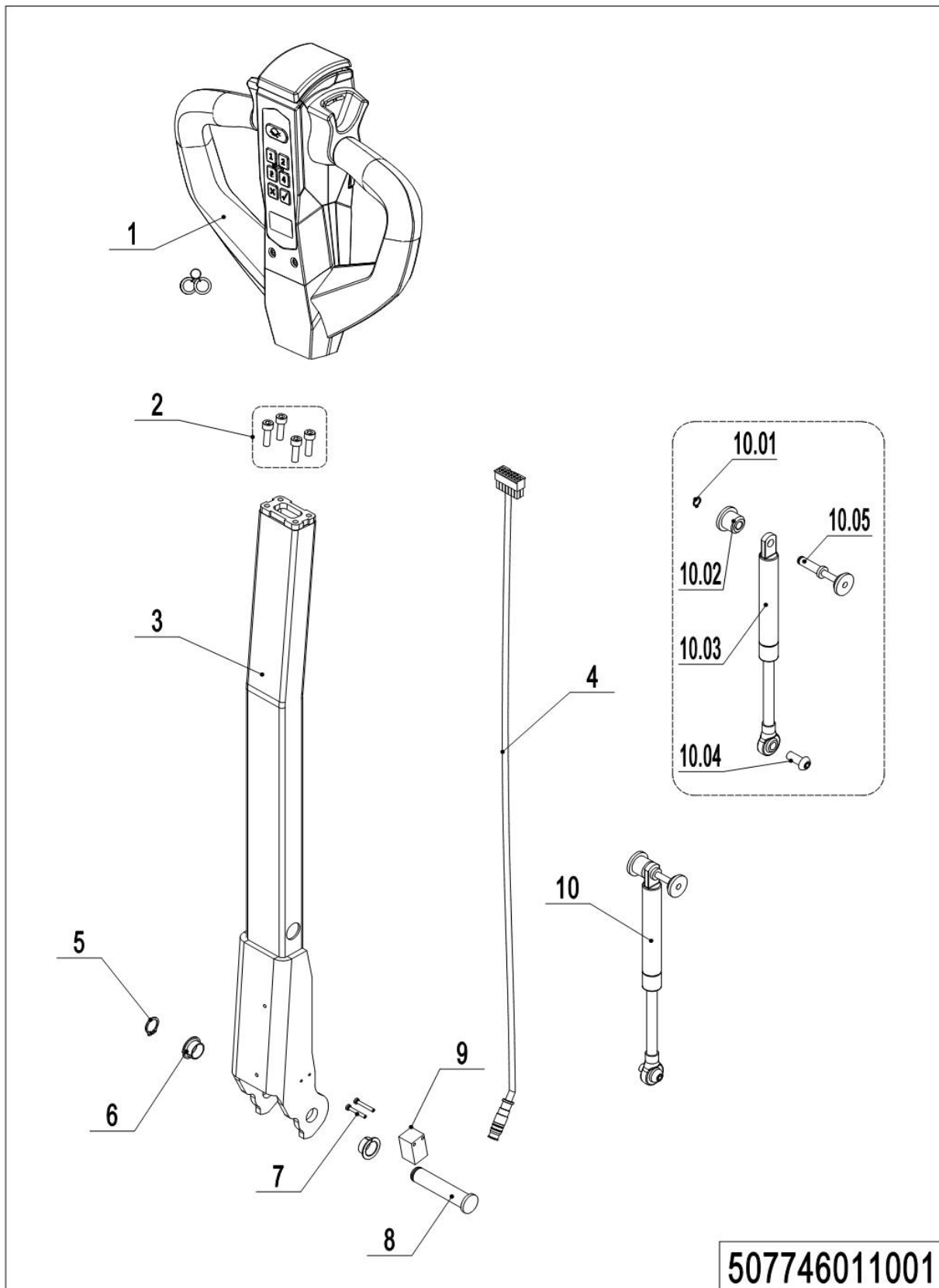


04 Truck Frame(PTE20N Pro)(507646038502) Continuation

| No. | Item Code | Mark | Item Description | Qty. | Substitute | Note |
|-----|--------------|------|------------------------|------|------------|---------------------------|
| 36 | 507638510010 | 2 | Chassis(685x1000) | 1 | | |
| 36 | 507638510012 | 2 | Chassis(685x1070) | 1 | | |
| 36 | 507638510002 | 2 | Chassis(685x1150) | 1 | | |
| 36 | 507638510004 | 2 | Chassis(685x1220) | 1 | | |
| 36 | 507638510111 | | Chassis(75mm,685x800) | 1 | | Fork height 75mm optional |
| 36 | 507638510113 | | Chassis(75mm,685x915) | 1 | | Fork height 75mm optional |
| 36 | 507638510115 | | Chassis(75mm,685x1000) | 1 | | Fork height 75mm optional |
| 36 | 507638510117 | | Chassis(75mm,685x1070) | 1 | | Fork height 75mm optional |
| 36 | 507638510101 | | Chassis(75mm,685x1150) | 1 | | Fork height 75mm optional |
| 36 | 507638510109 | | Chassis(75mm,685x1220) | 1 | | Fork height 75mm optional |

Chapter 4: Steering System, Braking System, Wheels

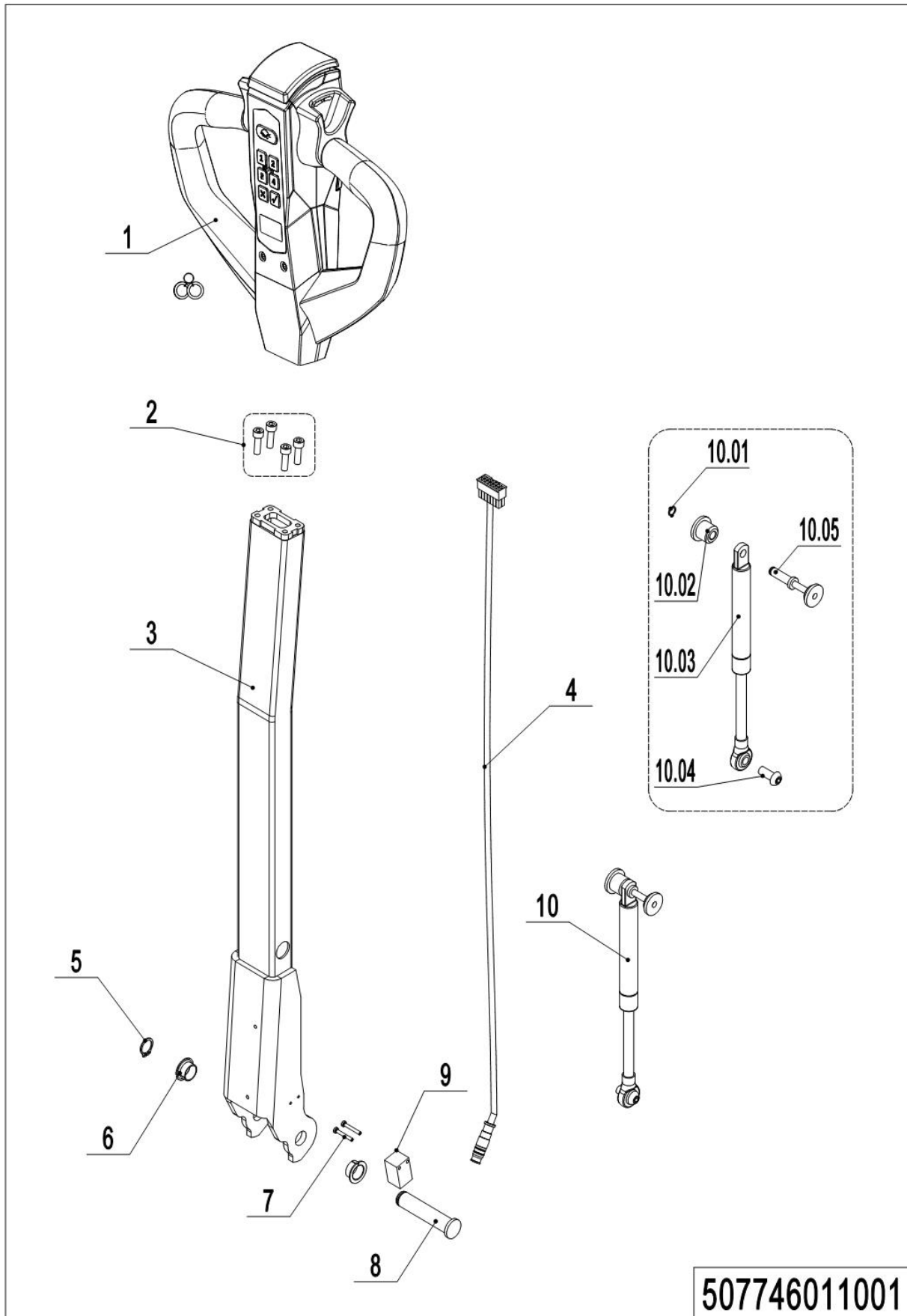
01 Tiller Unit(PTE15N Pro)(507746011001)



01 Tiller Unit(PTE15N Pro)(507746011001)

| No. | Item Code | Mark | Item Description | Qty. | Substitute | Note |
|-------|--------------|------|------------------|------|------------|------|
| 1 | 922100100131 | | Tiller | 1 | | |
| 2 | 910200200036 | 1 | Screw M6x20 | 4 | | |
| 3 | 508011010000 | | Tiller Rod | 1 | | |
| 4 | 508033010040 | | Wire Harness | 1 | | |
| 5 | 910401300006 | | Circlip | 1 | | |
| 6 | 940500200001 | | Bushing | 2 | | |
| 7 | 941101100001 | 1 | Screw M3x22 | 2 | | |
| 8 | 508011020004 | | Pin | 1 | | |
| 9 | 920200400027 | | Proximity Switch | 1 | | |
| 10 | 508098510084 | | Gas Spring Kit | 1 | | |
| 10.01 | 910401300001 | | Circlip | 1 | | |
| 10.02 | 508011020005 | | Fixing Base | 1 | | |
| 10.03 | 508011010001 | | Gas Spring | 1 | | |
| 10.04 | 941100100011 | 1 | Screw M8x22 | 1 | | |
| 10.05 | 508011010002 | | Pin | 1 | | |

02 Tiller Unit(PTE20N Pro)(507646011001)

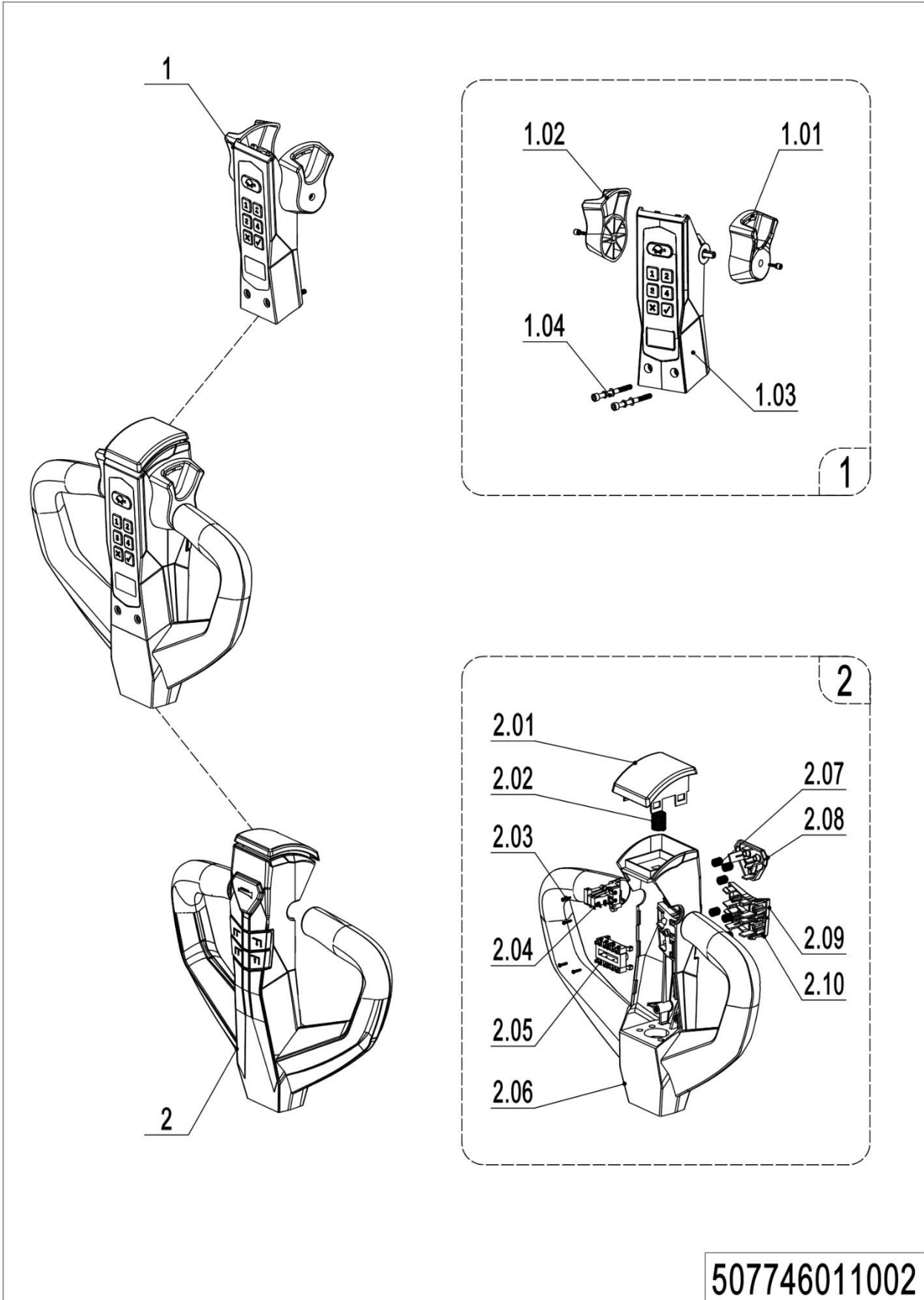


02 Tiller Unit(PTE20N Pro)(507646011001)

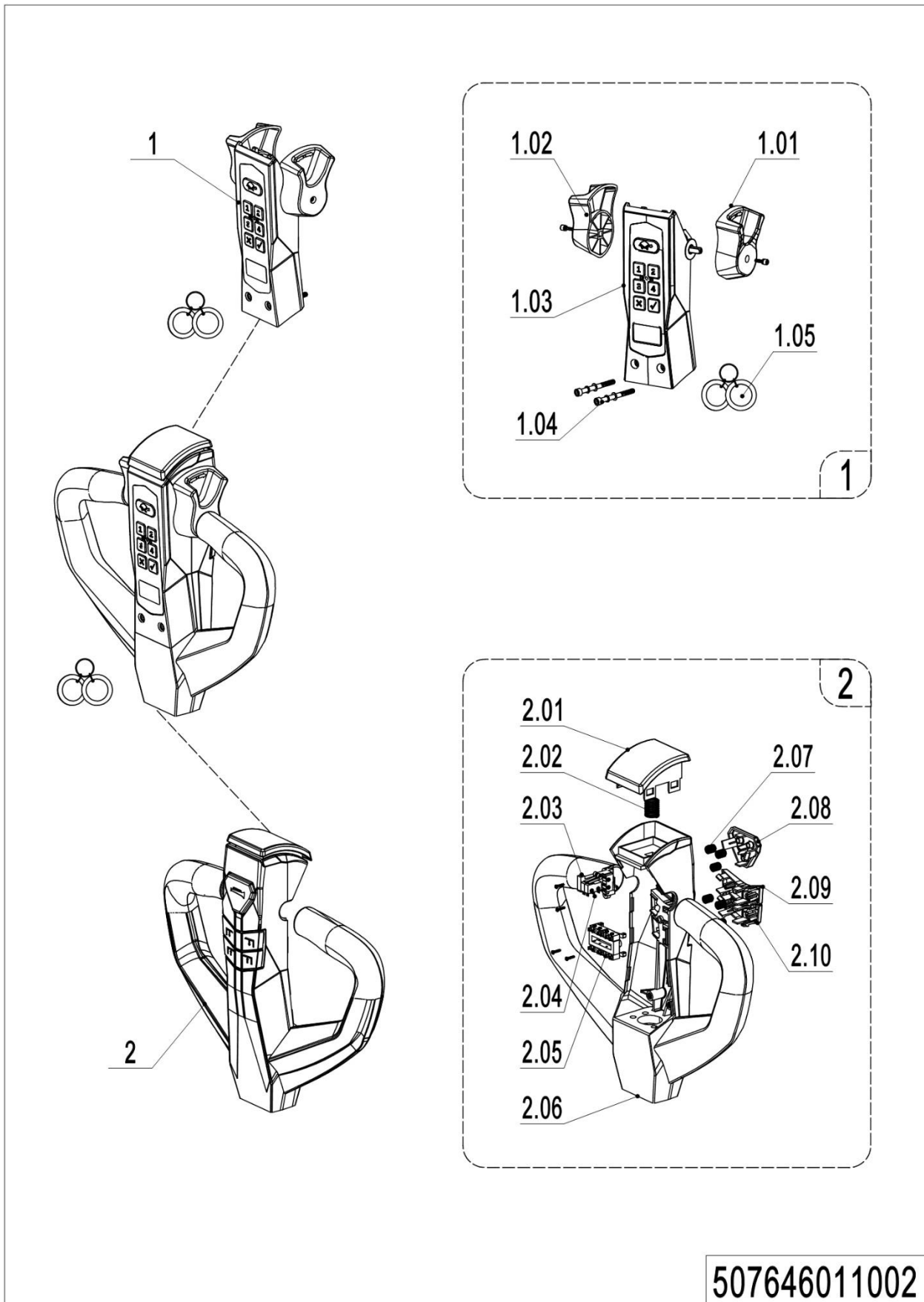
| No. | Item Code | Mark | Item Description | Qty. | Substitute | Note |
|-------|--------------|------|------------------|------|------------|------|
| 1 | 922100100141 | | Tiller | 1 | | |
| 2 | 910200200036 | 1 | Screw M6x20 | 4 | | |
| 3 | 508011010000 | | Tiller Rod | 1 | | |
| 4 | 508533010005 | | Wire Harness | 1 | | |
| 5 | 910401300006 | | Cireclip | 1 | | |
| 6 | 940500200001 | | Bushing | 2 | | |
| 7 | 941101100001 | 1 | Screw M3x22 | 2 | | |
| 8 | 508011020004 | | Pin | 1 | | |
| 9 | 920200400026 | | Proximity Switch | 1 | | |
| 10 | 508098510084 | | Gas Spring Kit | 1 | | |
| 10.01 | 910401300001 | | Cireclip | 1 | | |
| 10.02 | 508011020005 | | Fixing Base | 1 | | |
| 10.03 | 508011010001 | | Gas Spring | 1 | | |
| 10.04 | 941100100011 | 1 | Screw M8x22 | 1 | | |
| 10.05 | 508011010002 | | Pin | 1 | | |

03 Control Handle(PTE15N Pro)(507746011002)

03 Control Handle(PTE15N Pro)(507746011002)



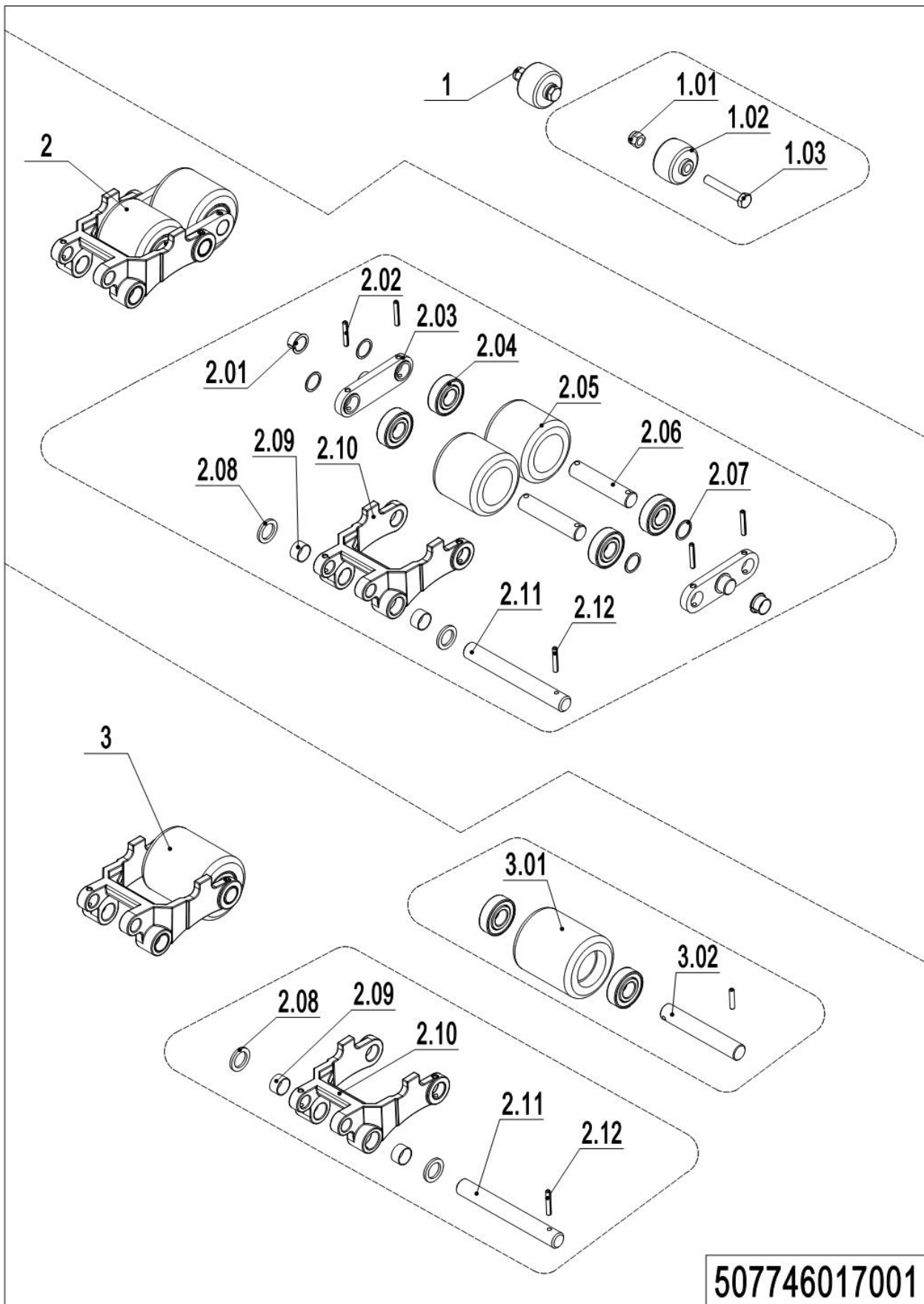
| No. | Item Code | Mark | Item Description | Qty. | Substitute | Note |
|------|--------------|------|----------------------|------|------------|------|
| -- | 922100100131 | | Tiller | 1 | | |
| 1 | 507798510003 | | Accelerator Assembly | 1 | | |
| 1.01 | 532298520020 | | Dial Key | 1 | | |
| 1.02 | 532298520021 | | Dial Key | 1 | | |
| 1.03 | 507798520046 | | PCB | 1 | | |
| 1.04 | 509998520065 | | Bolt M5X50 | 2 | | |
| 2 | 540298510001 | | Tiller Assembly | 1 | | |
| 2.01 | 540298520001 | | Button | 1 | | |
| 2.02 | 509998520071 | | Spring | 1 | | |
| 2.03 | 509998520070 | | Screw | 5 | | |
| 2.04 | 540298520002 | | Wire Harness Kit | 1 | | |
| 2.05 | 509998520032 | | Wire Harness Kit | 1 | | |
| 2.06 | 540298520003 | | Tiller | 1 | | |
| 2.07 | 509998520029 | | Spring | 7 | | |
| 2.08 | 540298520004 | | Button | 1 | | |
| 2.09 | 540298520005 | | Button | 1 | | |
| 2.10 | 540298520006 | | Button | 1 | | |

04 Control Handle(PTE20N Pro)(507646011002)

04 Control Handle(PTE20N Pro)(507646011002)

| No. | Item Code | Mark | Item Description | Qty. | Substitute | Note |
|------|--------------|------|----------------------|------|------------|------|
| -- | 922100100141 | | Tiller | 1 | | |
| 1 | 507698510006 | | Accelerator Assembly | 1 | | |
| 1.01 | 532298520020 | | Dial Key | 1 | | |
| 1.02 | 532298520021 | | Dial Key | 1 | | |
| 1.03 | 507698520008 | | PCB | 1 | | |
| 1.04 | 509998520065 | | Bolt M5X50 | 2 | | |
| 1.05 | 507698520001 | | ID Card | 1 | | |
| 2 | 540298510001 | | Tiller Assembly | 1 | | |
| 2.01 | 540298520001 | | Button | 1 | | |
| 2.02 | 509998520071 | | Spring | 1 | | |
| 2.03 | 509998520070 | | Screw | 5 | | |
| 2.04 | 540298520002 | | Wire Harness Kit | 1 | | |
| 2.05 | 509998520032 | | Wire Harness Kit | 1 | | |
| 2.06 | 540298520003 | | Tiller | 1 | | |
| 2.07 | 509998520029 | | Spring | 7 | | |
| 2.08 | 540298520004 | | Button | 1 | | |
| 2.09 | 540298520005 | | Button | 1 | | |
| 2.10 | 540298520006 | | Button | 1 | | |

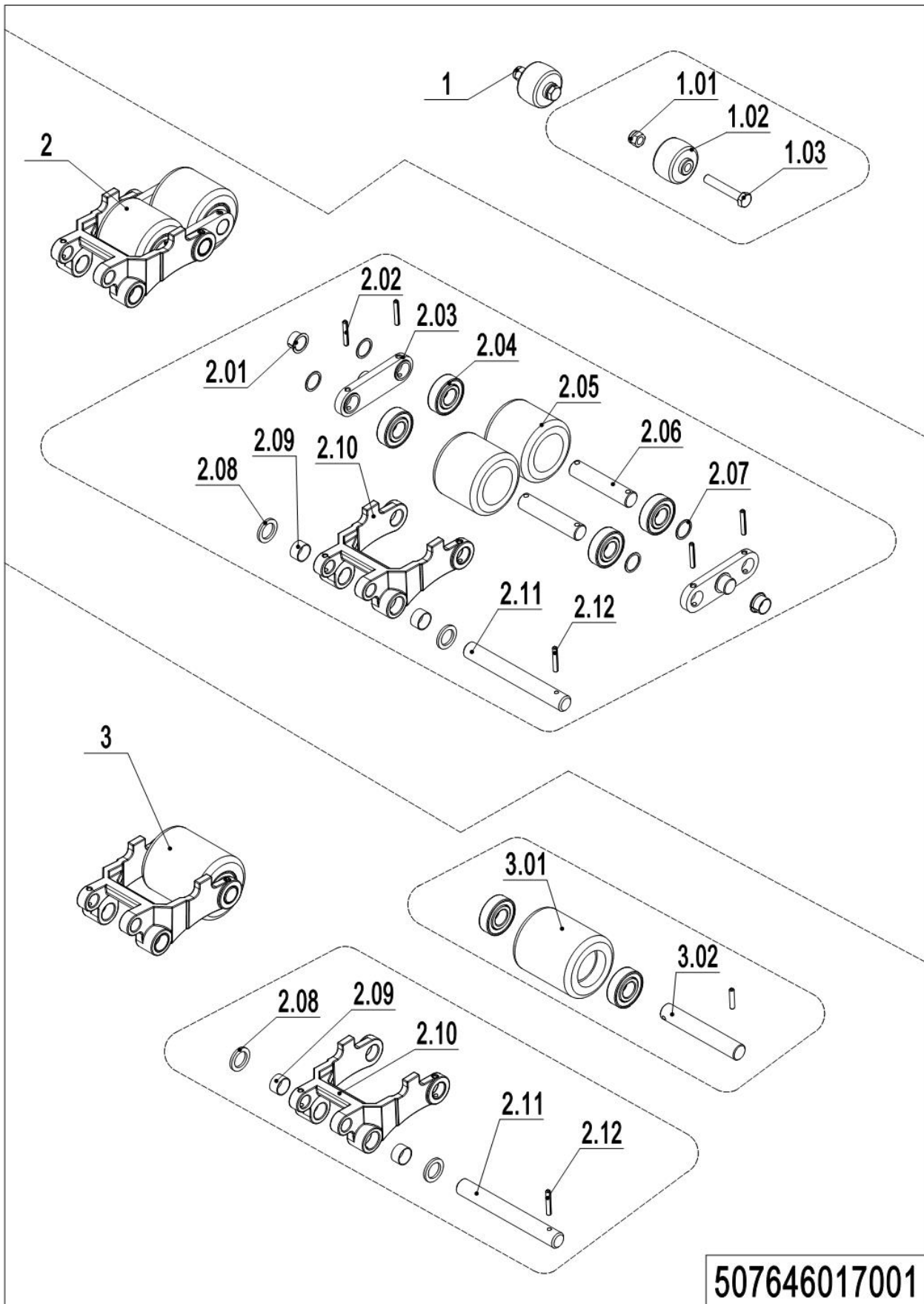
05 Load Wheel (Tandem)(PTE15N Pro)(507746017001)



05 Load Wheel (Tandem)(PTE15N Pro)(507746017001)

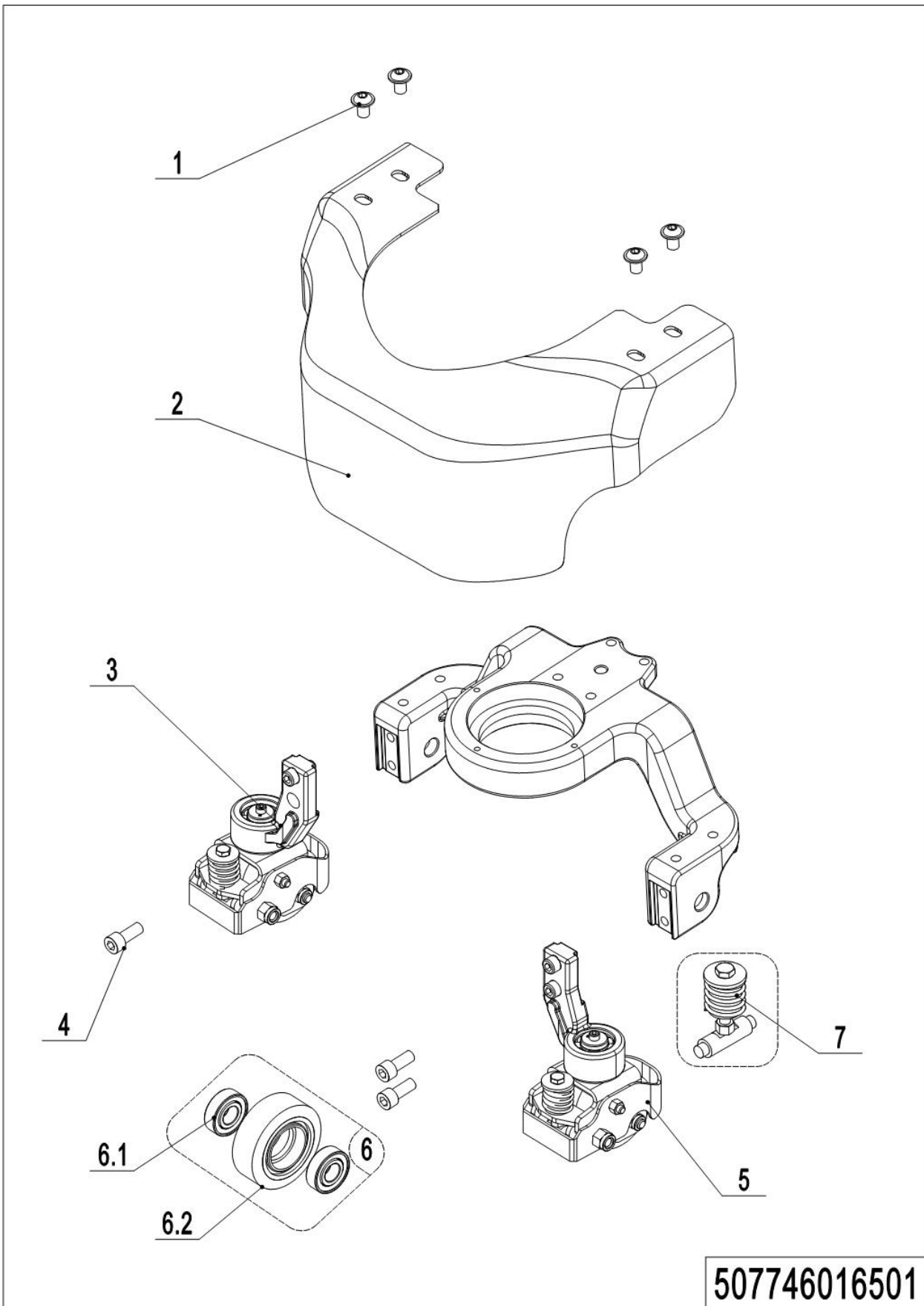
| No. | Item Code | Mark | Item Description | Qty. | Substitute | Note |
|------|--------------|------|-------------------|------|------------|---------------------------|
| 1 | 502398510003 | | Pulley components | 2 | | |
| 1.01 | 910300500005 | 1 | Nut | 2 | | |
| 1.02 | 505638520039 | | Running Pulley | 2 | | |
| 1.02 | 506238520041 | | Running Pulley | 2 | | Fork height 75mm optional |
| 1.03 | 941100200019 | 1 | Bolt M10x60 | 2 | | |
| 2 | 508098510049 | | Wheel Kits | 2 | | |
| 2.01 | 940500200038 | | Bushing | 4 | | |
| 2.02 | 910600500004 | 1 | Spring Pin 5x35 | 8/2 | | Double / single |
| 2.03 | 508017020001 | | Connecting Plate | 4 | | |
| 2.04 | 910700200019 | | Bearing | 8/4 | | Double / single |
| 2.05 | 940300300047 | | WheelΦ80x70 | 4 | | |
| 2.06 | 502317020001 | | Wheel Axle | 4 | | Double |
| 2.07 | 940600500013 | | Washer | 8/4 | | Double / single |
| 2.08 | 454853020018 | | Gasket Φ30xΦ20x2 | 4 | | |
| 2.09 | 940500100083 | | Bushing | 4 | | |
| 2.10 | 502338520078 | | Riser | 2 | | |
| 2.11 | 508038520030 | | Axle | 2 | | |
| 2.12 | 910600500002 | | Spring Pin 5x28 | 2 | | |
| 3 | 508098510050 | | Wheel Kits | 2 | | |
| 3.01 | 940300300023 | | WheelΦ80x93 | 2 | | |
| 3.01 | 940300300002 | | WheelΦ74x93 | 2 | | Fork height 75mm optional |
| 3.02 | 301017020001 | | Wheel Axle | 2 | | single |

06 Load Wheel (Tandem)(PTE20N Pro)(507646017001)



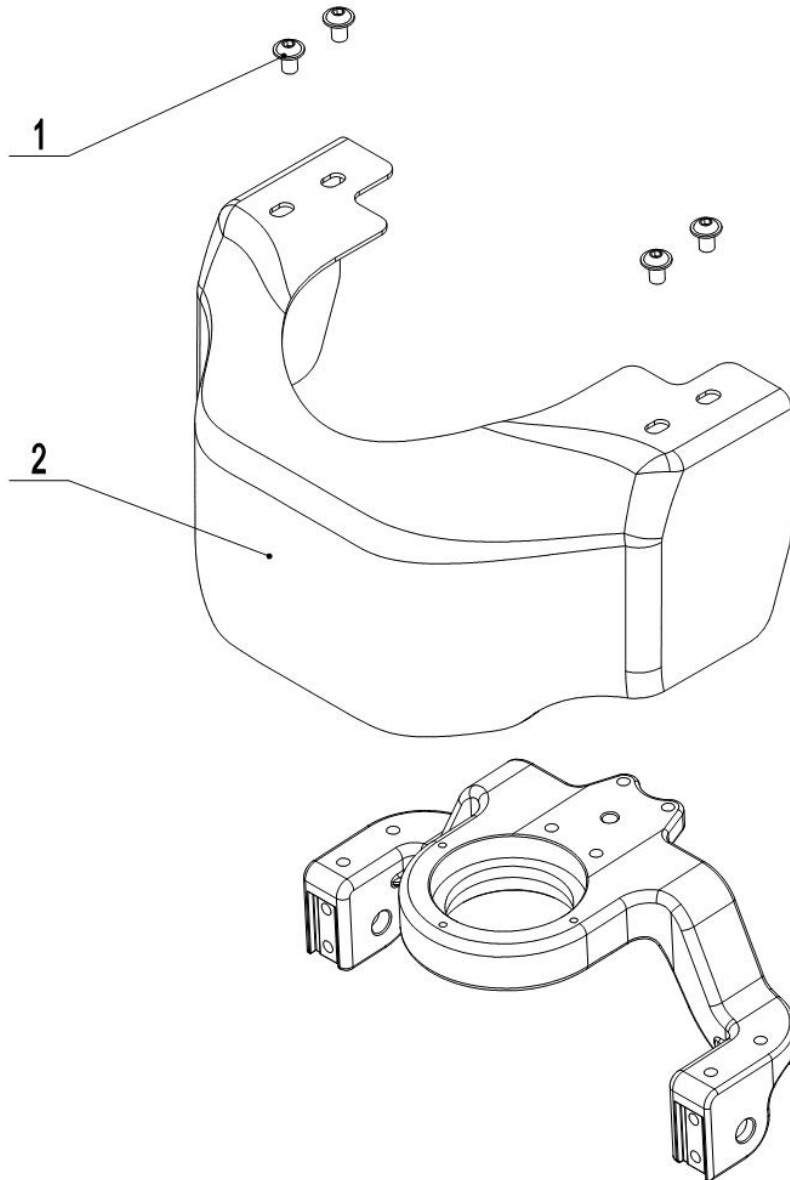
06 Load Wheel (Tandem) (PTE20N Pro)(507646017001)

| No. | Item Code | Mark | Item Description | Qty. | Substitute | Note |
|------|--------------|------|-------------------|------|------------|---------------------------|
| 1 | 502398510003 | | Pulley components | 2 | | |
| 1.01 | 910300500005 | 1 | Nut | 2 | | |
| 1.02 | 505638520039 | | Running Pulley | 2 | | |
| 1.03 | 941100200019 | 1 | Bolt M10x60 | 2 | | |
| 2 | 508098510049 | | Wheel Kits | 2 | | |
| 2.01 | 940500200038 | | Bushing | 4 | | |
| 2.02 | 910600500004 | 1 | Spring Pin 5x35 | 8/2 | | Double / single |
| 2.03 | 508017020001 | | Connecting Plate | 4 | | |
| 2.04 | 910700200019 | | Bearing | 8/4 | | Double / single |
| 2.05 | 940300300005 | | WheelΦ80x70 | 4 | | |
| 2.06 | 502317020001 | | Wheel Axle | 4 | | Double |
| 2.07 | 940600500013 | | Washer | 8/4 | | Double / single |
| 2.08 | 454853020018 | | Gasket Φ30xΦ20x2 | 4 | | |
| 2.09 | 940500100083 | | Bushing | 4 | | |
| 2.10 | 502338520078 | | Riser | 2 | | QT |
| 2.11 | 508038520030 | | Axle | 2 | | |
| 2.12 | 910600500002 | | Spring Pin 5x28 | 4 | | |
| 3 | 508098510050 | | Wheel Kits | 2 | | |
| 3.01 | 940300300023 | | WheelΦ80x93 | 2 | | |
| 3.01 | 940300300002 | | WheelΦ74x93 | 2 | | Fork height 75mm optional |
| 3.02 | 301017020001 | | Wheel Axle | 2 | | single |

07 Caster(507746016501)

07 Caster(507746016501)

| No. | Item Code | Mark | Item Description | Qty. | Substitute | Note |
|-----|--------------|------|------------------|------|------------|-------------------------------------|
| 1 | 941100100005 | 1 | Screw M10x15 | 4 | | |
| 2 | 508016520000 | | Reinforced Apron | 1 | | 35 mm off the ground |
| 2 | 508016520008 | | Reinforced Apron | 1 | | 45 mm off the ground |
| 2 | 508016510006 | | Reinforced Apron | 1 | | 35 mm off the ground, reinforced |
| 2 | 508016510011 | | Reinforced Apron | 1 | | 45 mm off the ground, reinforced |
| 3 | 508016510002 | | Caster Kit | 1 | | |
| 4 | 910200200076 | 1 | Screw M10x25 | 4 | | |
| 5 | 508016510005 | | Caster Kit | 1 | | |
| 6 | 502398510015 | 2 | Load Wheel Kit | 2 | | |
| 6.1 | 910700200018 | | Bearing | 4 | | |
| 6.2 | 940300300017 | | WheelΦ80x30 | 2 | | |
| 7 | 508098510047 | | Spring Kit | 2 | | |

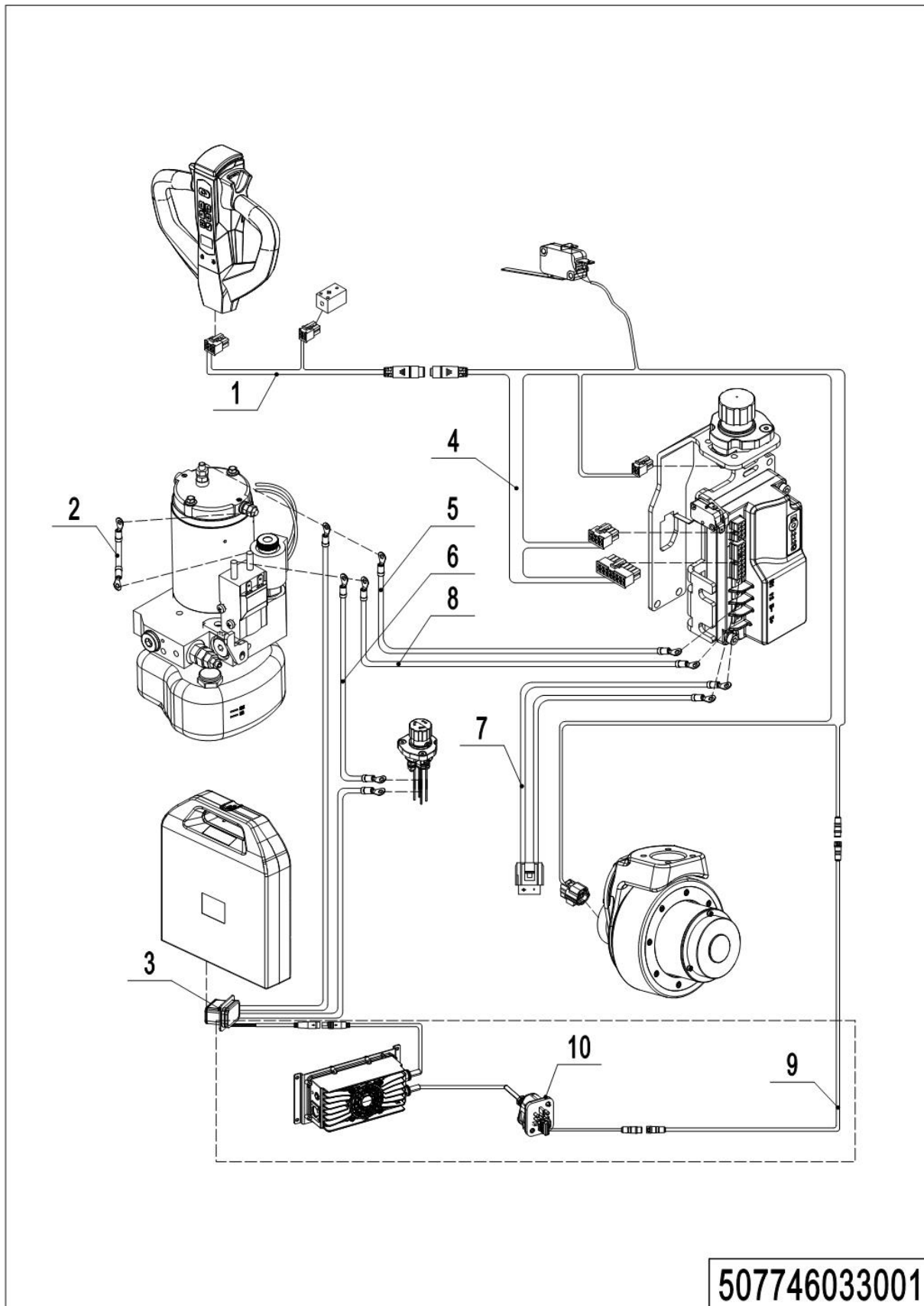
08 Caster(without)(507746016502)**507746016502**

08 Caster(without)(507746016502)

| No. | Item Code | Mark | Item Description | Qty. | Substitute | Note |
|-----|--------------|------|------------------|------|------------|-----------------------|
| 1 | 941100100005 | 1 | Screw M10x15 | 4 | | |
| 2 | 508016520001 | | Reinforced Apron | 1 | | 35 mm off the ground |
| 2 | 508016520009 | | Reinforced Apron | 1 | | 45 mm off the ground |
| 2 | 508016510007 | | Reinforced Apron | 1 | | 35 mm off the ground, |
| 2 | 508016510010 | | Reinforced Apron | 1 | | 45 mm off the ground, |

Chapter 5: Electrical Parts

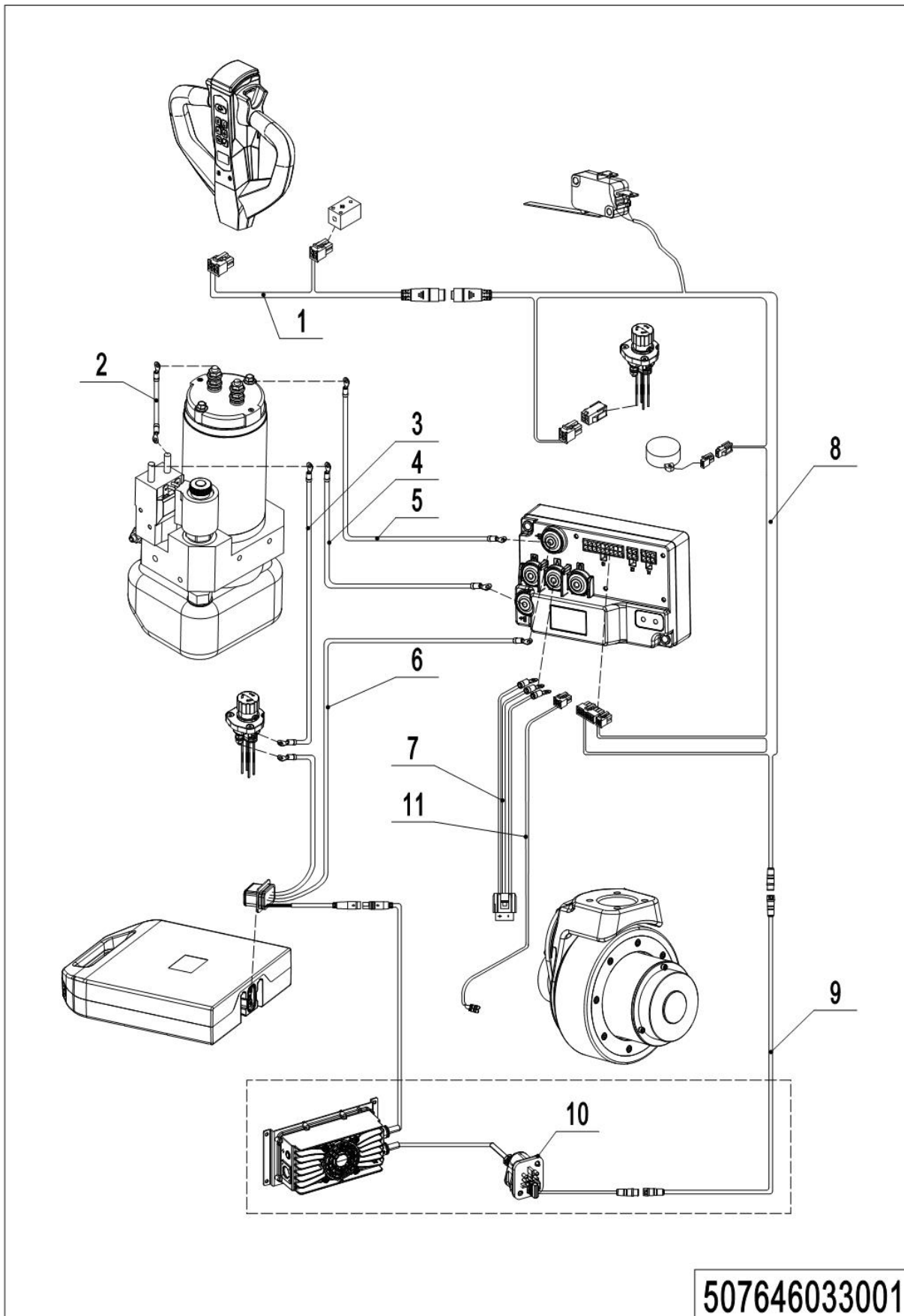
01 Wire Harness(PTE15N Pro)(507746033001)



01 Wire Harness(PTE15N Pro) (507746033001)

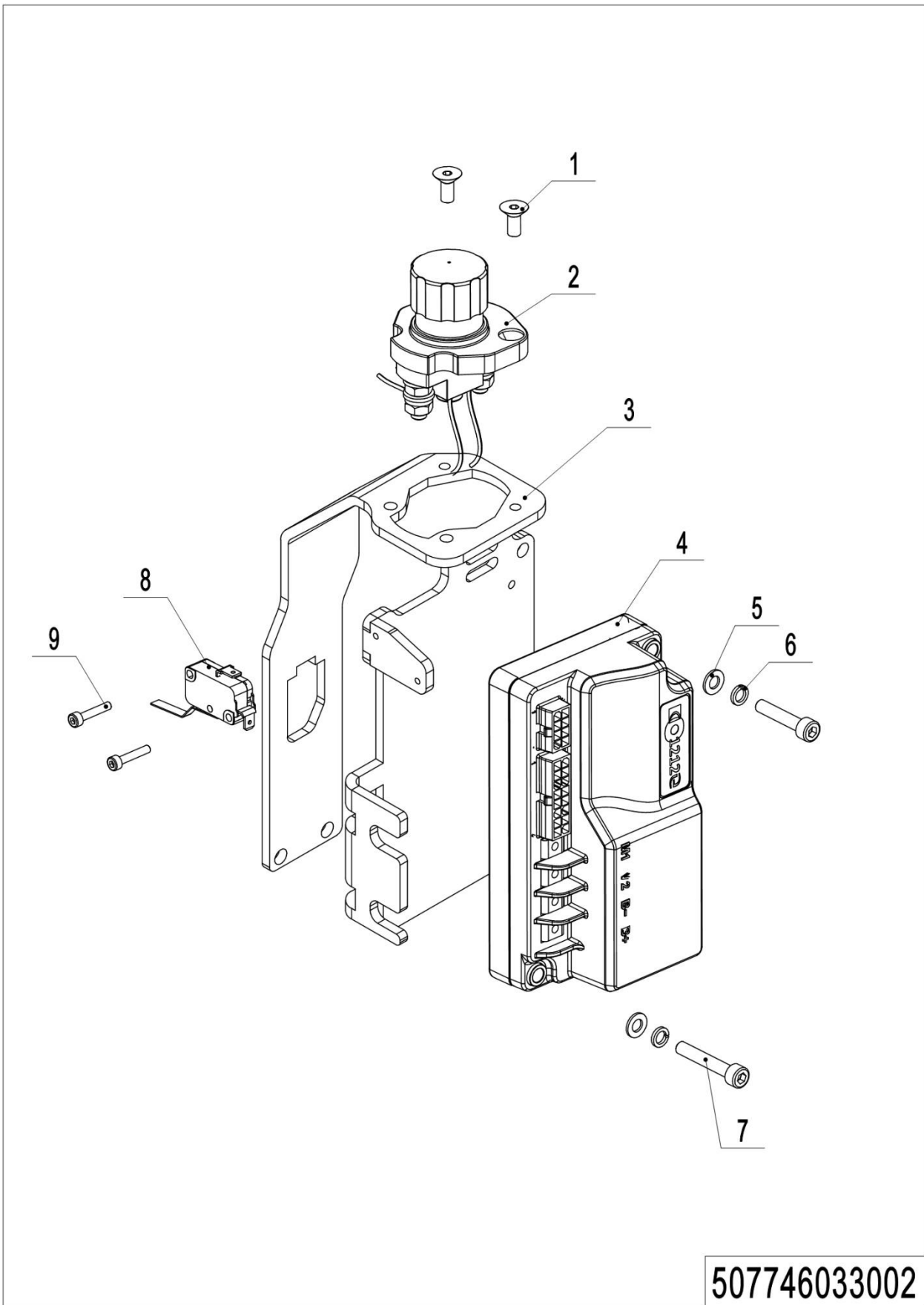
| No. | Item Code | Mark | Item Description | Qty. | Substitute | Note |
|-----|--------------|------|------------------|------|------------|---|
| 1 | 508033010040 | | Wire Harness | 1 | | |
| 2 | 508033010034 | | Wire Harness | 1 | | |
| 3 | 507733010002 | | Wire Harness | 1 | | |
| 3 | 507733010003 | | Wire Harness | 1 | | For internal charger |
| 4 | 507733010000 | | Wire Harness | 1 | | |
| 4 | 507733010001 | | Wire Harness | 1 | | |
| 4 | 507733010004 | | Wire Harness | 1 | | For internal charger |
| 4 | 507733010005 | | Wire Harness | 1 | | For internal charger |
| 5 | 508033010036 | | Cables | 1 | | |
| 6 | 508033010033 | | Cables | 1 | | |
| 7 | 508033010006 | | Wire Harness | 1 | | |
| 7 | 508033010032 | | Wire Harness | 1 | | |
| 8 | 508033010035 | | Cables | 1 | | |
| 9 | 921500100244 | | Cable | 1 | | For internal charger |
| 10 | 920400300029 | | Socket | 1 | | Match(internal charger): ENG、ITY、SWE、BRA、 |
| 10 | 920400300030 | | Socket | 1 | | Match(internal charger): EU |
| 10 | 920400300036 | | Socket | 1 | | Match(internal charger): SWE、BRA、JP、EU、 |
| 10 | 920400300035 | | Socket | 1 | | Match(internal charger): EU(SJ) |

02 Wire Harness(PTE20N Pro) (507646033001)



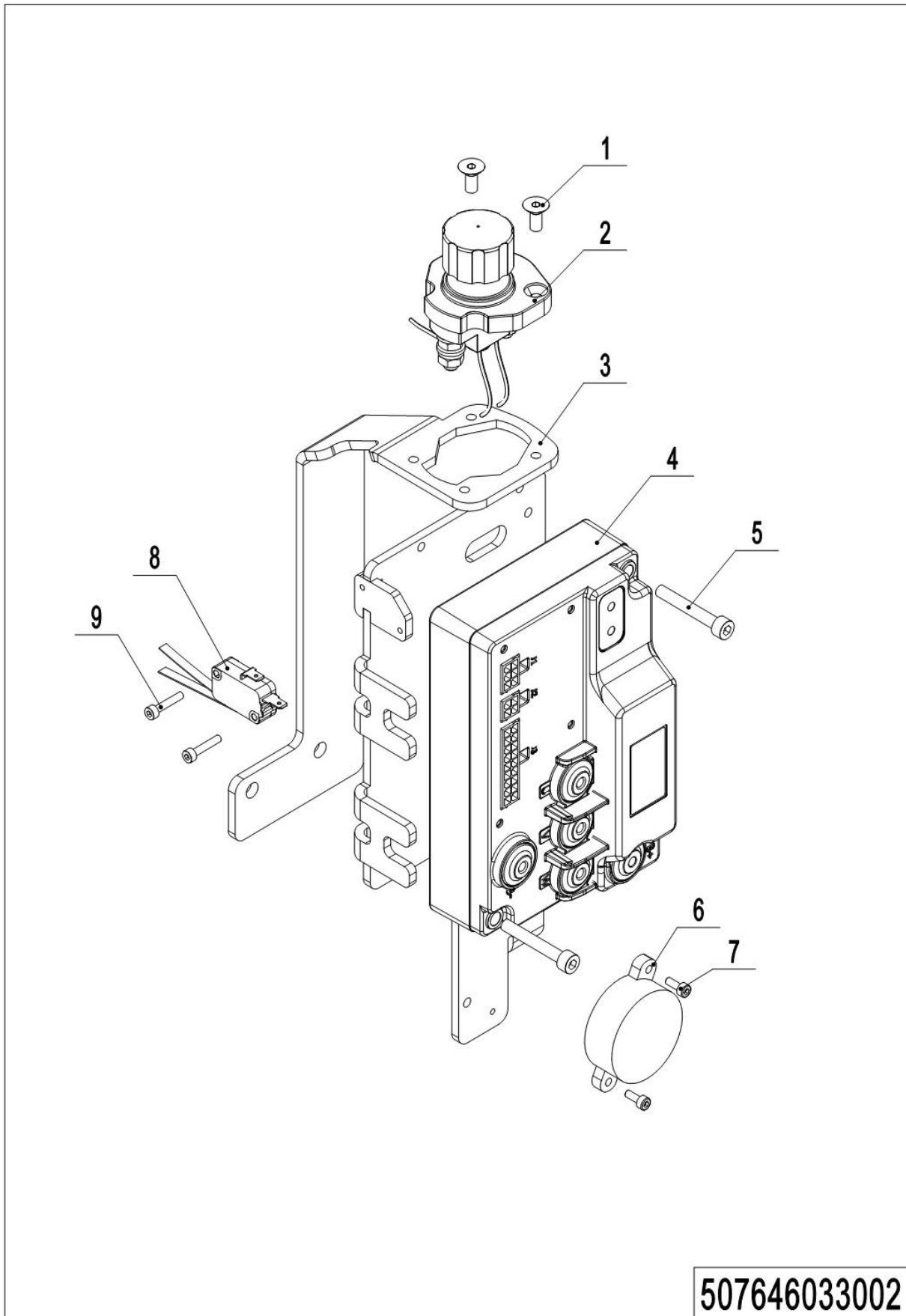
02 Wire Harness (PTE20N Pro) (507646033001)

| No. | Item Code | Mark | Item Description | Qty. | Substitute | Note |
|-----|--------------|------|------------------|------|------------|--|
| 1 | 507633010005 | | Wire Harness | 1 | | |
| 2 | 508533010006 | | Wire Harness | 1 | | |
| 3 | 508533010014 | | Cables | 1 | | |
| 4 | 508533010004 | | Wire Harness | 1 | | |
| 5 | 508533010005 | | Wire Harness | 1 | | |
| 6 | 507633010002 | | Wire Harness | 1 | | |
| 6 | 507633010003 | | Wire Harness | 1 | | For internal charger |
| 7 | 508533010007 | | Wire Harness | 1 | | |
| 8 | 507633010001 | | Wire Harness | 1 | | |
| 8 | 507633010004 | | Wire Harness | 1 | | For internal charger |
| 9 | 921500100244 | | Cable | 1 | | For internal charger |
| 10 | 920400300029 | | Socket | 1 | | Match(internal charger): ENG、ITY、SWE、BRA CHA: ENG、ITY、SWE、BRA、CHA |
| 10 | 920400300030 | | Socket | 1 | | Match(internal charger): EU |
| 10 | 920400300036 | | Socket | 1 | | Match(internal charger): SWE、BRA、JP、EU、ITY、US(SJ) |
| 10 | 920400300035 | | Socket | 1 | | Match(internal charger): EU(SJ) |
| 11 | 508533010002 | | Wire Harness | 1 | | |

03 Controller(PTE15N Pro)(507746033002)

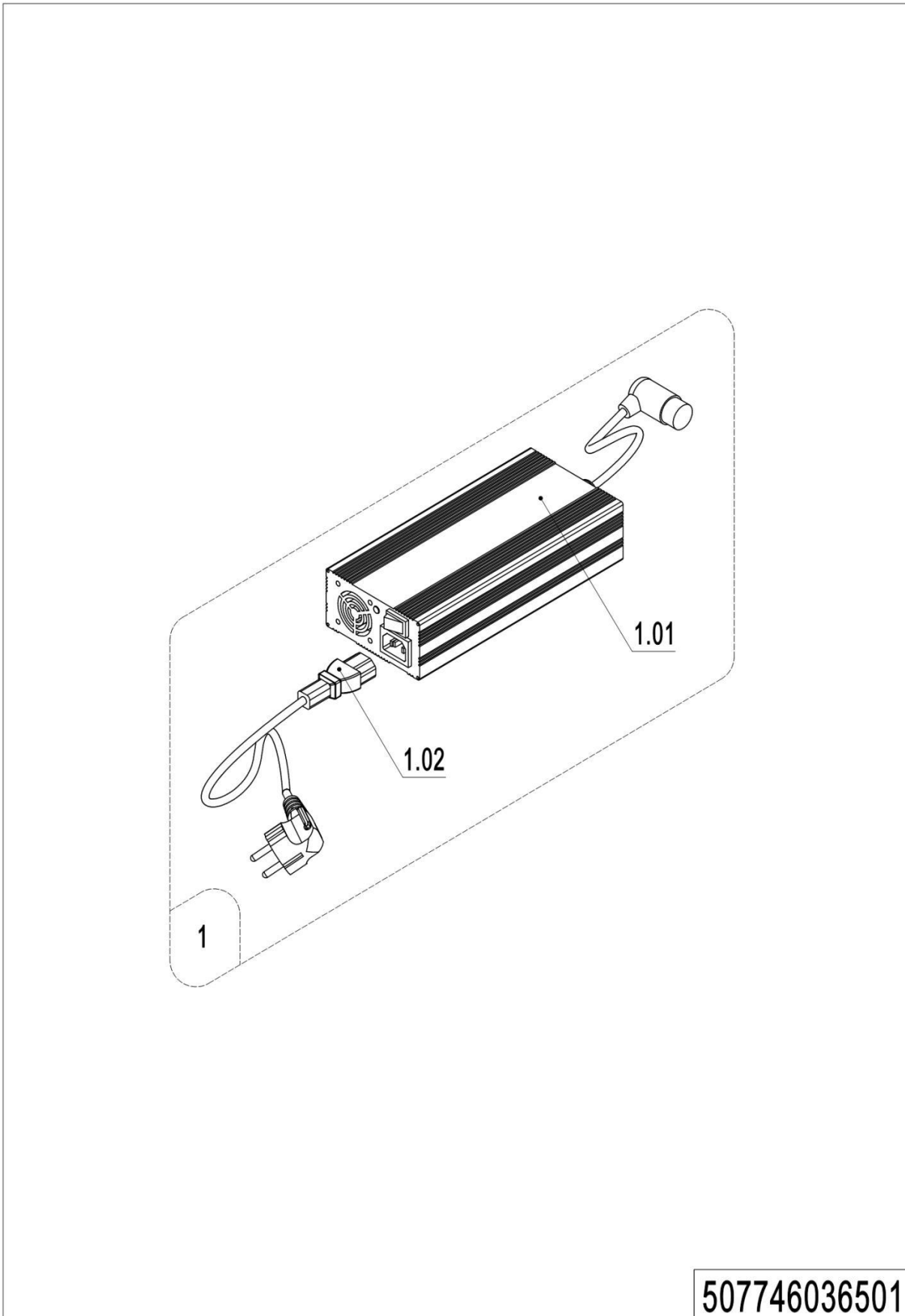
03 Controller(PTE15N Pro) (507746033002)

| No. | Item Code | Mark | Item Description | Qty. | Substitute | Note |
|-----|--------------|------|------------------|------|------------|------------|
| 1 | 910200400010 | | Screw M5x10 | 2 | | |
| 2 | 920200100027 | | Emergency Button | 1 | | |
| 3 | 508024010007 | | Mounting Rack | 1 | | |
| 4 | 508033010048 | 1 | Controller | 1 | | 1212E-2503 |
| 5 | 910400100003 | 1 | Flat Washer | 2 | | |
| 6 | 910400500003 | 1 | Spring Washer | 2 | | |
| 7 | 910200200018 | 1 | Screw M4x30 | 2 | | |
| 8 | 920200300022 | | Microswitch | 1 | | |
| 9 | 910200200004 | | Screw M3x16 | 2 | | |

04 Controller(PTE20N Pro) (507646033002)

04 Controller(PTE20N Pro)(507646033002)

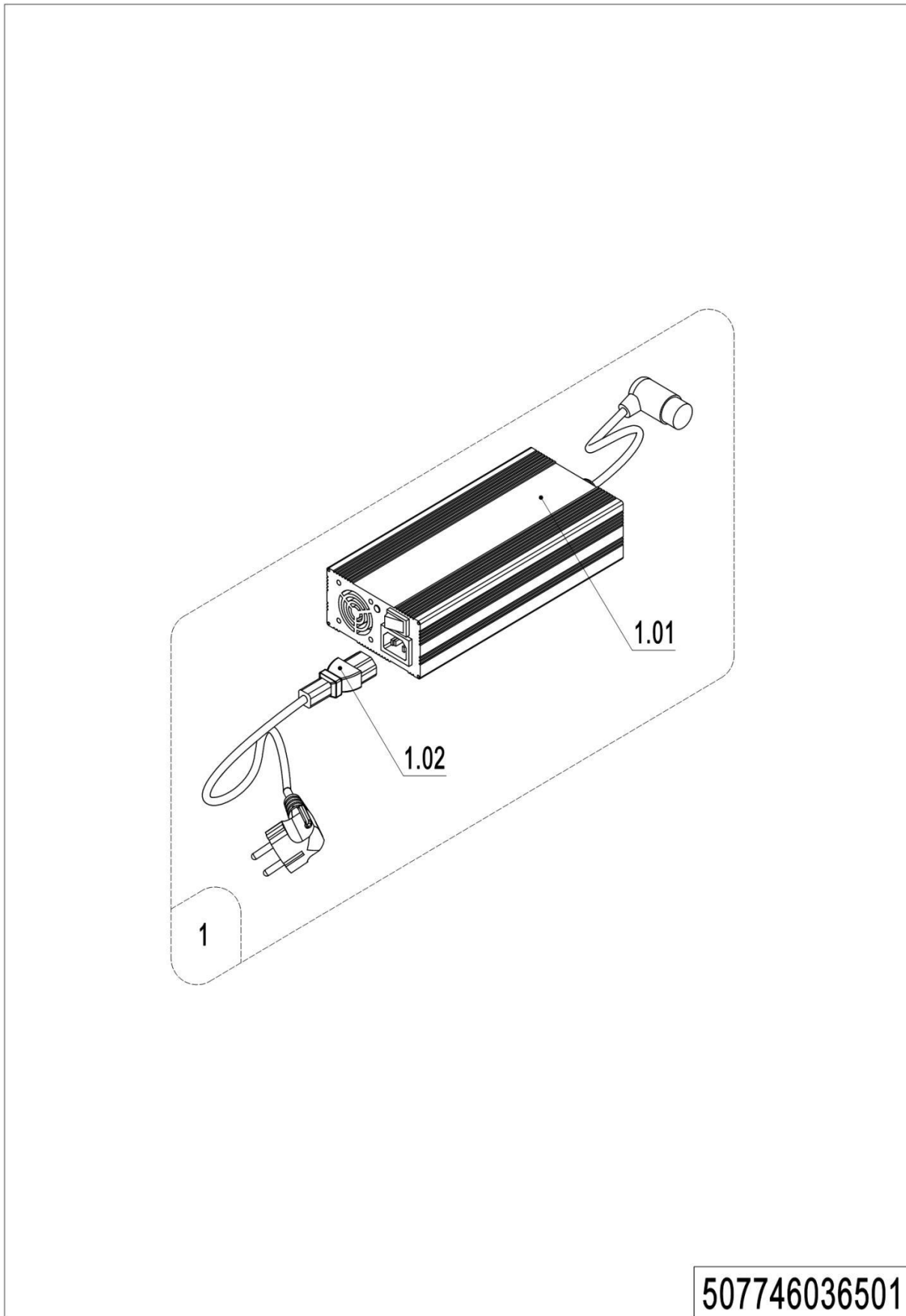
| No. | Item Code | Mark | Item Description | Qty. | Substitute | Note |
|-----|--------------|------|------------------|------|------------|-------------|
| 1 | 910200400010 | | Screw M5x10 | 2 | | |
| 2 | 920200100027 | | Emergency Button | 1 | | |
| 3 | 508524010003 | | Mounting Rack | 1 | | |
| 4 | 508533010041 | 1 | Controller | 1 | | 1226BL-4153 |
| 5 | 910200200027 | 1 | Screw M5x35 | 2 | | |
| 6 | 509998520063 | 1 | Buzzer | 1 | | |
| 7 | 910200300002 | | Screw M3x8 | 2 | | |
| 8 | 920200300012 | | Microswitch | 1 | | |
| 9 | 910200200004 | | Screw M3x16 | 2 | | |

05 Charger (PTE15N Pro)(507746036501)

05 Charger(PTE15N Pro) (507746036501)

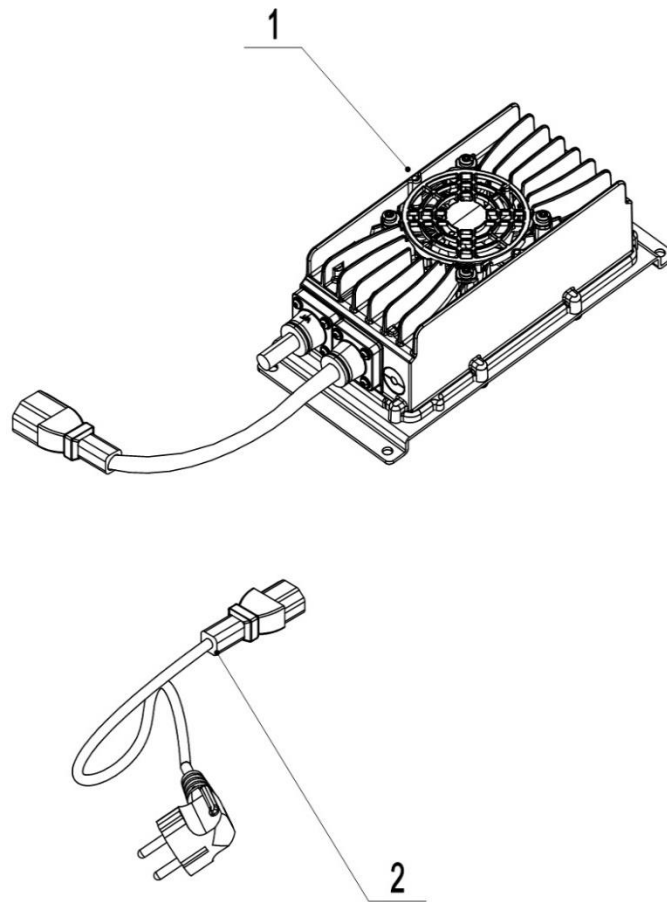
| No. | Item Code | Mark | Item Description | Qty. | Substitute | Note |
|------|------------------|------|---------------------------|------|------------|------|
| 1 | 508036510053-T01 | | Li-Charger TL24V12A(Asia) | 1 | | TL |
| 1 | 508036510054-T01 | | Li-Charger TL24V12A(ENG) | 1 | | TL |
| 1 | 508036510055-T01 | | Li-Charger TL24V12A(US) | 1 | | TL |
| 1 | 508036510056-T01 | | Li-Charger TL24V12A(EU) | 1 | | TL |
| 1 | 508036510057-T01 | | Li-Charger TL24V12A(AUS) | 1 | | TL |
| 1 | 508036510058-T01 | | Li-Charger TL24V12A(ITA) | 1 | | TL |
| 1 | 508036510059-T01 | | Li-Charger TL24V12A(CH) | 1 | | TL |
| 1 | 508036510060-T01 | | Li-Charger TL24V12A(ISR) | 1 | | TL |
| 1 | 508036510061-T01 | | Li-Charger TL24V12A(BRA) | 1 | | TL |
| 1 | 508036510062-T01 | | Li-Charger TL24V12A(ARG) | 1 | | TL |
| 1 | 508036510063-T01 | | Li-Charger | 1 | | TL |
| 1 | 508036510066-T01 | | Li-Charger TL24V12A(DK) | 1 | | TL |
| 1 | 508036510078-T01 | | Li-Charger TL24V12A(ZA,S) | 1 | | TL |
| 1 | 508036510070-T01 | | Li-Charger TL24V8A(EU) | 1 | | TL |
| 1 | 508036510071-T01 | | Li-Charger TL24V8A(AUS) | 1 | | TL |
| 1 | 508036510072-T01 | | Li-Charger TL24V8A(ITA) | 1 | | TL |
| 1 | 508036510073-T01 | | Li-Charger TL24V8A(CH) | 1 | | TL |
| 1 | 508036510074-T01 | | Li-Charger TL24V8A(ISR) | 1 | | TL |
| 1 | 508036510075-T01 | | Li-Charger TL24V8A(BRA) | 1 | | TL |
| 1 | 508036510076-T01 | | Li-Charger TL24V8A(ARG) | 1 | | TL |
| 1 | 508036510077-T01 | | Li-Charger TL24V8A(ENG) | 1 | | TL |
| 1 | 508036510079-T01 | | Li-Charger | 1 | | TL |
| 1 | 508036510080-T01 | | Li-Charger TL24V8A(ZA,S) | 1 | | TL |
| 1 | 508036510081-T01 | | Li-Charger | 1 | | TL |
| 1 | 508036510082-T01 | | Li-Charger | 1 | | TL |
| 1 | 508036510067-T01 | | Li-Charger SS24V8A(KR) | 1 | | SS |
| 1 | 508036510065-T01 | | Li-Charger SS24V8A(AUS) | 1 | | SS |
| 1 | 508036510003-T01 | | Li-Charger SS24V8A(US) | 1 | | SS |
| 1.01 | 921000200590-T01 | | Li-Charger WT24V12A-CAN | 1 | | TL |
| 1.01 | 921000200597-T01 | | Li-Charger SS24V8A(RCM) | 1 | | SS |

05 Charger(PTE15N Pro) (507746036501) Continuation



05 Charger(PTE15N Pro) (507746036501) Continuation

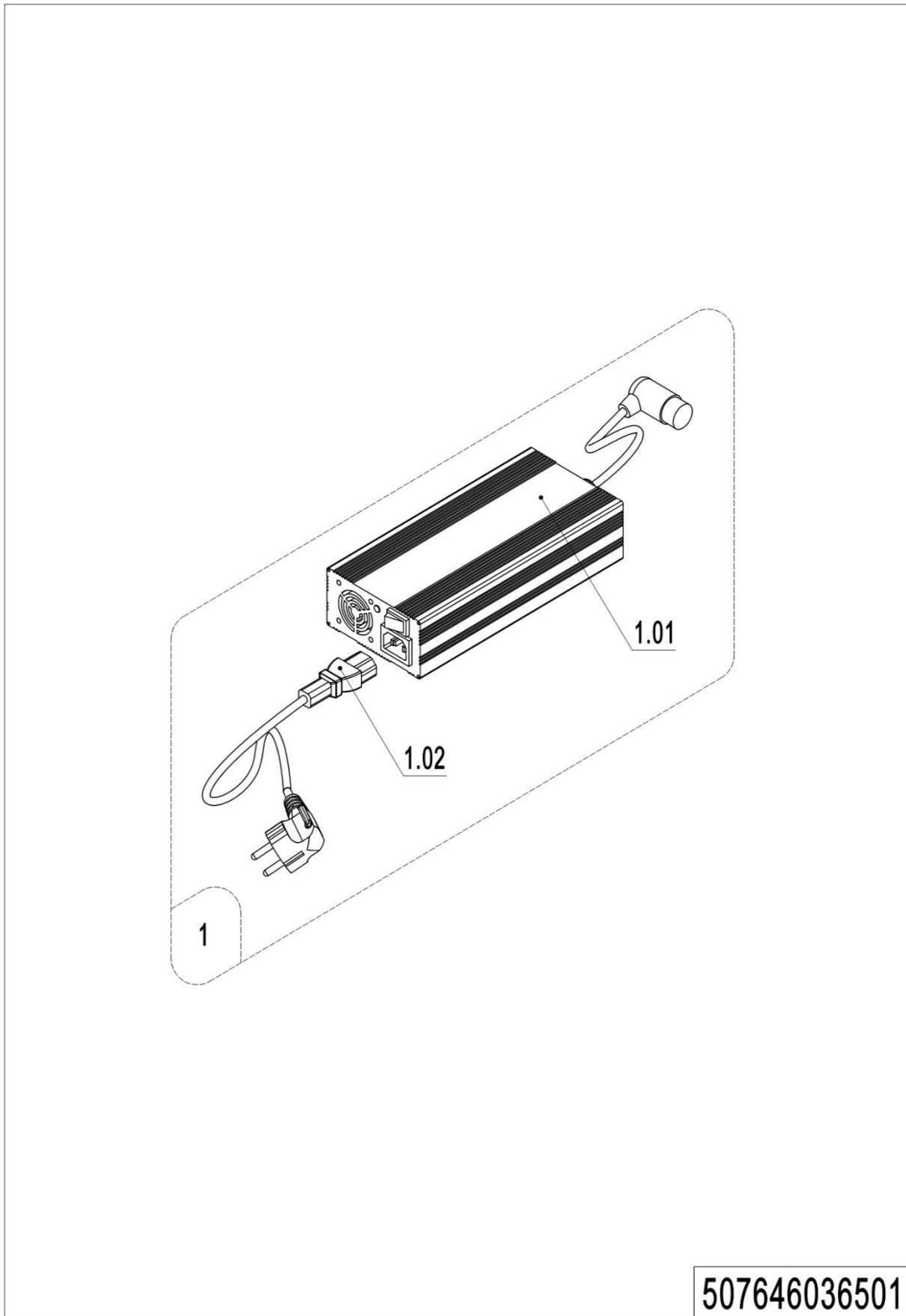
| No. | Item Code | Mark | Item Description | Qty. | Substitute | Note |
|------|------------------|------|--------------------------|------|------------|------|
| 1.01 | 921000200648-T01 | | Li-Charger WT24V8A(EU) | 1 | | TL |
| 1.01 | 921000200464-T01 | | Li-Charger SS24V8A(Asia- | 1 | | SS |
| 1.02 | 921500200021 | | Power Cord(Asia) | 1 | | |
| 1.02 | 921500200027 | | Power Cord(ENG) | 1 | | |
| 1.02 | 921500200023 | | Power Cord(USA) | 1 | | |
| 1.02 | 921500200022 | | Power Cord(EU) | 1 | | |
| 1.02 | 921500200024 | | Power Cord(AUS) | 1 | | |
| 1.02 | 921500200025 | | Power Cord(ITA) | 1 | | |
| 1.02 | 921500200026 | | Power Cord(CH) | 1 | | |
| 1.02 | 921500200028 | | Power Cord(ISR) | 1 | | |
| 1.02 | 921500200049 | | Power Cord(BRA) | 1 | | |
| 1.02 | 921500200050 | | Power Cord(ARG) | 1 | | |
| 1.02 | 921500200063 | | Power Cord(BIGZA) | 1 | | |
| 1.02 | 921500200064 | | Power Cord(ZA,S) | 1 | | |

06 Charger(PTE15N Pro)(507746036502)

507746036502

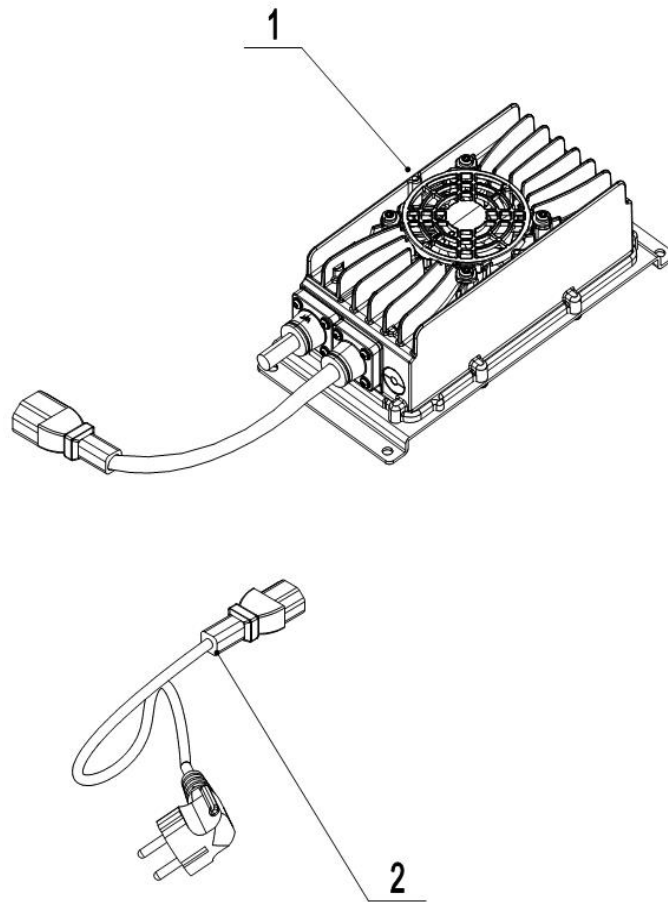
06 Charger(PTE15N Pro) (507746036502)

| No. | Item Code | Mark | Item Description | Qty. | Substitute | Note |
|-----|--------------|------|--------------------|------|------------|------|
| 1 | 921000100112 | | Li-Charger24V18A | 1 | | |
| 1 | 921000100111 | | Li-Charger24V8A | 1 | | |
| 2 | 921500200005 | | Spring Cable(EU) | 1 | | |
| 2 | 921500200003 | | Spring Cable(AUS) | 1 | | |
| 2 | 921500200006 | | Spring Cable(ITA) | 1 | | |
| 2 | 921500200007 | | Spring Cable(CH) | 1 | | |
| 2 | 921500200029 | | Spring Cable(ISR) | 1 | | |
| 2 | 921500200061 | | Spring Cable(BRA) | 1 | | |
| 2 | 921500200037 | | Spring Cable(ARG) | 1 | | |
| 2 | 921500200008 | | Spring Cable(Asia) | 1 | | |
| 2 | 921500200004 | | Spring Cable(ENG) | 1 | | |
| 2 | 921500200002 | | Spring Cable(USA) | 1 | | |

07 Charger(PTE20N Pro) (507646036501)

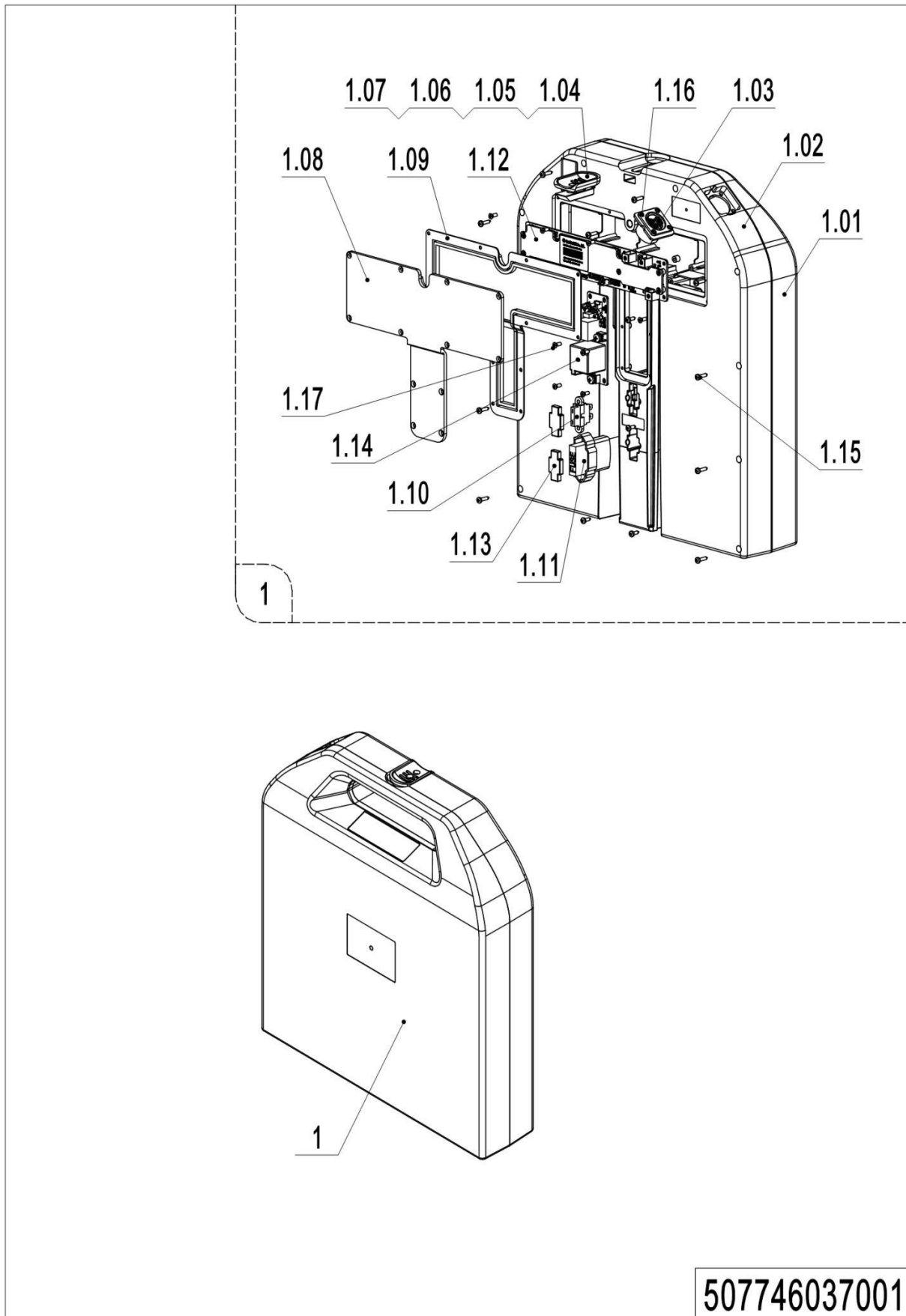
07 Charger(PTE20N Pro) (507646036501)

| No. | Item Code | Mark | Item Description | Qty. | Substitute | Note |
|------|------------------|------|-------------------------|------|------------|------|
| 1 | 508536510013-T01 | | Li-Charger 48V9A(Asia) | 1 | | SS |
| 1 | 508536510015-T01 | | Li-Charger 48V9A(US) | 1 | | SS |
| 1 | 508536510025-T01 | | Li-Charger 48V9A(EU) | 1 | | TL |
| 1 | 508536510026-T01 | | Li-Charger 48V9A(AUS) | 1 | | TL |
| 1 | 508536510027-T01 | | Li-Charger 48V9A(ITA) | 1 | | TL |
| 1 | 508536510028-T01 | | Li-Charger 48V9A(CH) | 1 | | TL |
| 1 | 508536510029-T01 | | Li-Charger 48V9A(ISR) | 1 | | TL |
| 1 | 508536510030-T01 | | Li-Charger 48V9A(BRA) | 1 | | TL |
| 1 | 508536510031-T01 | | Li-Charger 48V9A(ARG) | 1 | | TL |
| 1 | 508536510032-T01 | | Li-Charger 48V9A(ENG) | 1 | | TL |
| 1 | 508536510033-T01 | | Li-Charger 48V9A(BIGZA) | 1 | | TL |
| 1 | 508536510034-T01 | | Li-Charger 48V9A(ZA, S) | 1 | | TL |
| 1.01 | 921000200591-T01 | | Li-Charger SS48V9A- | 1 | | SS |
| 1.01 | 921000200585-T01 | | Li-Charger SS48V9A- | 1 | | SS |
| 1.01 | 921000200642-T01 | | Li-Charger WT48V9A(EU) | 1 | | TL |
| 1.02 | 921500200021 | | Power Cord(Asia) | 1 | | |
| 1.02 | 921500200027 | | Power Cord(ENG) | 1 | | |
| 1.02 | 921500200023 | | Power Cord(USA) | 1 | | |
| 1.02 | 921500200022 | | Power Cord(EU) | 1 | | |
| 1.02 | 921500200024 | | Power Cord(AUS) | 1 | | |
| 1.02 | 921500200025 | | Power Cord(ITA) | 1 | | |
| 1.02 | 921500200026 | | Power Cord(CH) | 1 | | |
| 1.02 | 921500200028 | | Power Cord(ISR) | 1 | | |
| 1.02 | 921500200049 | | Power Cord(BRA) | 1 | | |
| 1.02 | 921500200050 | | Power Cord(ARG) | 1 | | |
| 1.02 | 921500200063 | | Power Cord(BIGZA) | 1 | | |
| 1.02 | 921500200064 | | Power Cord(ZA,S) | 1 | | |

08 Charger(PTE20N Pro) (507646036502)**507646036502**

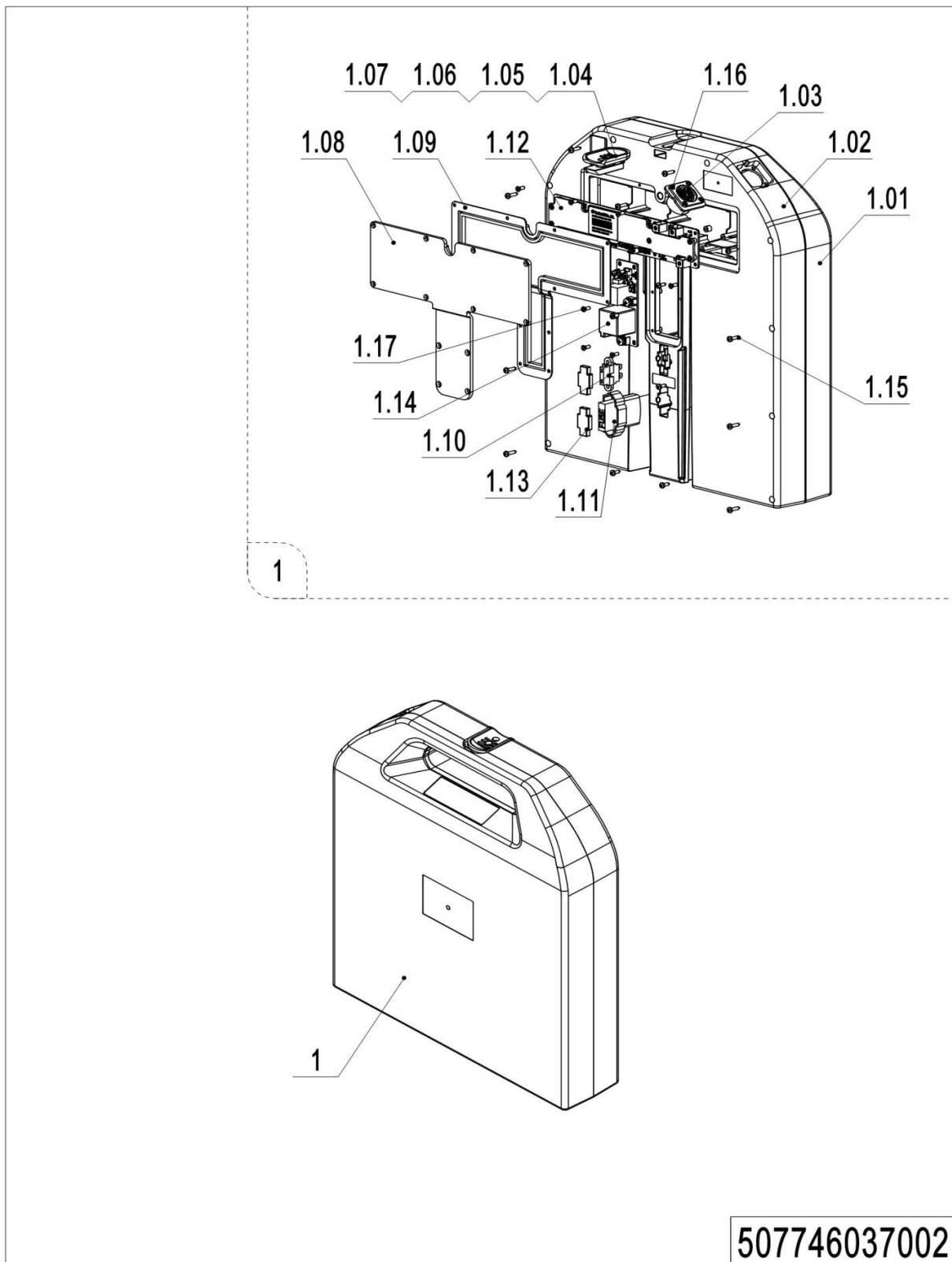
08 Charger(PTE20N Pro) (507646036502)

| No. | Item Code | Mark | Item Description | Qty. | Substitute | Note |
|-----|--------------|------|--------------------|------|------------|------|
| 1 | 921000100113 | | Li-Charger48V8A | 1 | | TL |
| 2 | 921500200005 | | Spring Cable(EU) | 1 | | |
| 2 | 921500200003 | | Spring Cable(AUS) | 1 | | |
| 2 | 921500200006 | | Spring Cable(ITA) | 1 | | |
| 2 | 921500200007 | | Spring Cable(CH) | 1 | | |
| 2 | 921500200029 | | Spring Cable(ISR) | 1 | | |
| 2 | 921500200061 | | Spring Cable(BRA) | 1 | | |
| 2 | 921500200037 | | Spring Cable(ARG) | 1 | | |
| 2 | 921500200008 | | Spring Cable(Asia) | 1 | | |
| 2 | 921500200004 | | Spring Cable(ENG) | 1 | | |
| 2 | 921500200002 | | Spring Cable(USA) | 1 | | |

09 Traction Battery(24V20Ah)(PTE15N Pro)(507746037001)

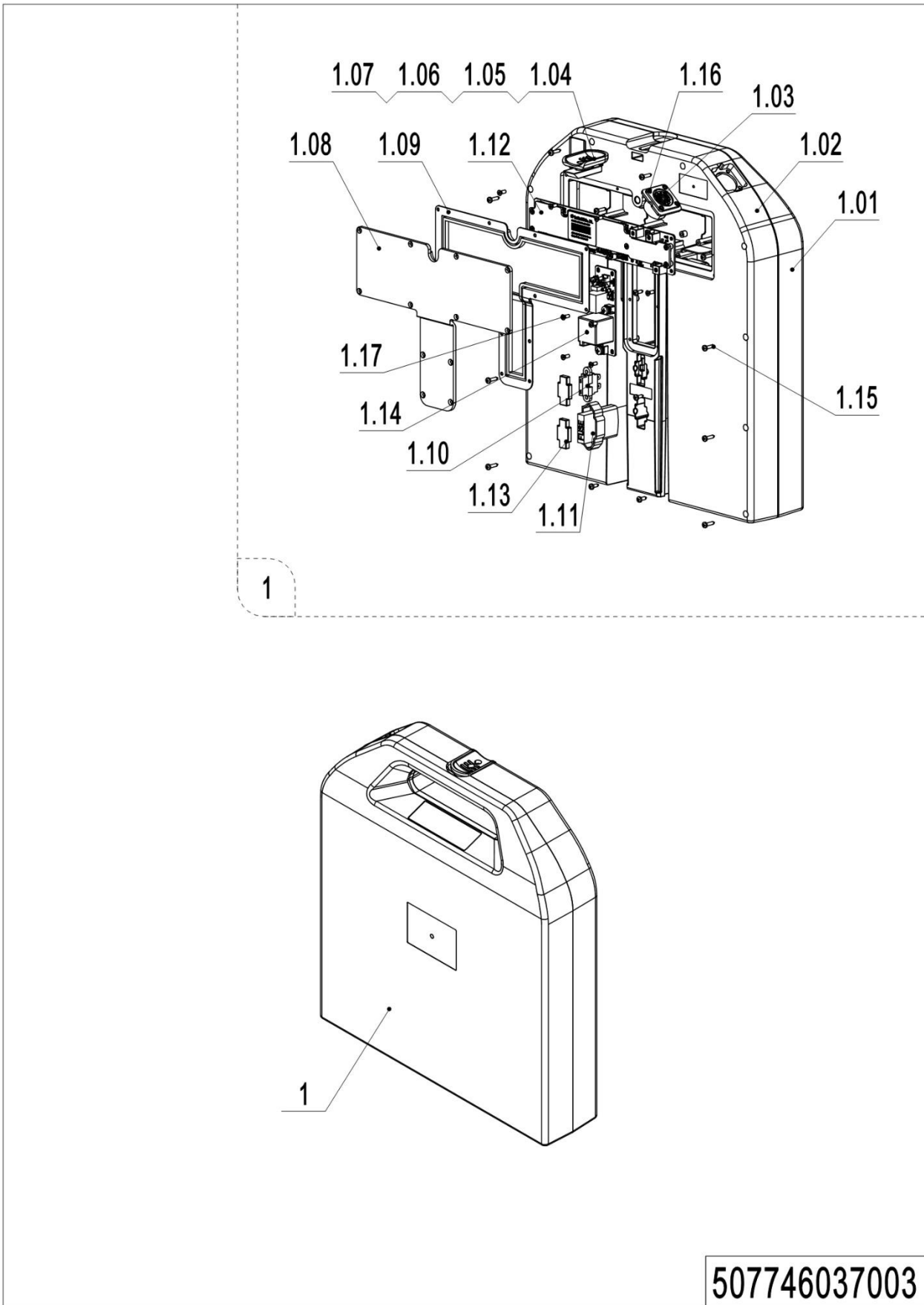
09 Traction Battery(24V20Ah)(PTE15N Pro) (507746037001)

| No. | Item Code | Mark | Item Description | Qty. | Substitute | Note |
|------|--------------|------|---------------------|------|------------|------|
| 1 | 920600100433 | | Li-Battery24V20Ah | 1 | | |
| 1.01 | 507798520001 | | Cover | 1 | | |
| 1.02 | 507798520002 | | Shell | 1 | | |
| 1.03 | 920400200259 | | Connector Assembly | 1 | | |
| 1.04 | 508098520023 | | Fixing Mount | 1 | | |
| 1.05 | 508098520022 | | Plastic Handle | 1 | | |
| 1.06 | 508098520024 | | Spring | 1 | | |
| 1.07 | 910200500011 | | Screw M3x10 | 2 | | |
| 1.08 | 507798520003 | | Close Plate | 1 | | |
| 1.09 | 507798520004 | | Sealing Ring | 1 | | |
| 1.10 | 920100200016 | | Fuse | 1 | | |
| 1.11 | 920100200015 | | Fuse | 1 | | |
| 1.12 | 507798520005 | | NDNL1-BF8S20Ah-MND4 | 1 | | |
| 1.13 | 509998520054 | | Plug | 2 | | |
| 1.14 | 507798520008 | | BF24-SPM3-CD | 1 | | |
| 1.15 | 507798520025 | | Screw | 12 | | |
| 1.16 | 507798520026 | | Screw M3 | 4 | | |
| 1.17 | 507798520027 | | Screw M3 | 12 | | |

10 Traction Battery(24V40Ah)(PTE15N Pro)(507746037002)

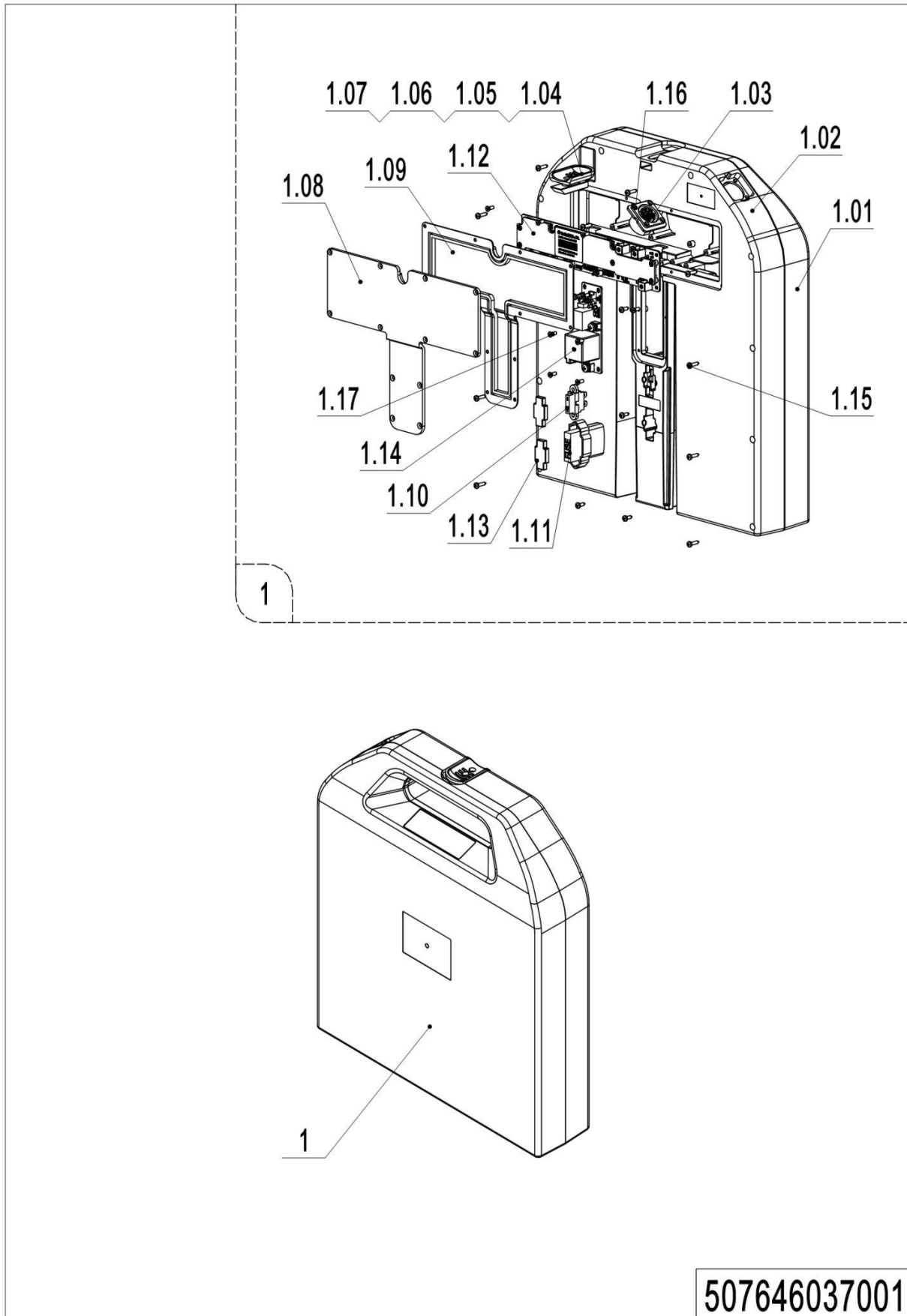
10 Traction Battery(24V40Ah)(PTE15N Pro) (507746037002)

| No. | Item Code | Mark | Item Description | Qty. | Substitute | Note |
|------|--------------|------|---------------------|------|------------|------|
| 1 | 920600100434 | | Li-Battery24V40Ah | 1 | | |
| 1.01 | 507798520001 | | Cover | 1 | | |
| 1.02 | 507798520002 | | Shell | 1 | | |
| 1.03 | 920400200260 | | Connector Assembly | 1 | | |
| 1.04 | 508098520023 | | Fixing Mount | 1 | | |
| 1.05 | 508098520022 | | Plastic Handle | 1 | | |
| 1.06 | 508098520024 | | Spring | 1 | | |
| 1.07 | 910200500011 | | Screw M3x10 | 2 | | |
| 1.08 | 507798520003 | | Close Plate | 1 | | |
| 1.09 | 507798520004 | | Sealing Ring | 1 | | |
| 1.10 | 920100200016 | | Fuse | 1 | | |
| 1.11 | 920100200015 | | Fuse | 1 | | |
| 1.12 | 507798520006 | | NDNL1-BF8S40Ah-MND4 | 1 | | |
| 1.13 | 509998520054 | | Plug | 2 | | |
| 1.14 | 507798520008 | | BF24-SPM3-CD | 1 | | |
| 1.15 | 507798520025 | | Screw | 12 | | |
| 1.16 | 507798520026 | | Screw M3 | 4 | | |
| 1.17 | 507798520027 | | Screw M3 | 12 | | |

11 Traction Battery(24V40Ah) (PTE15N Pro) (507746037003)

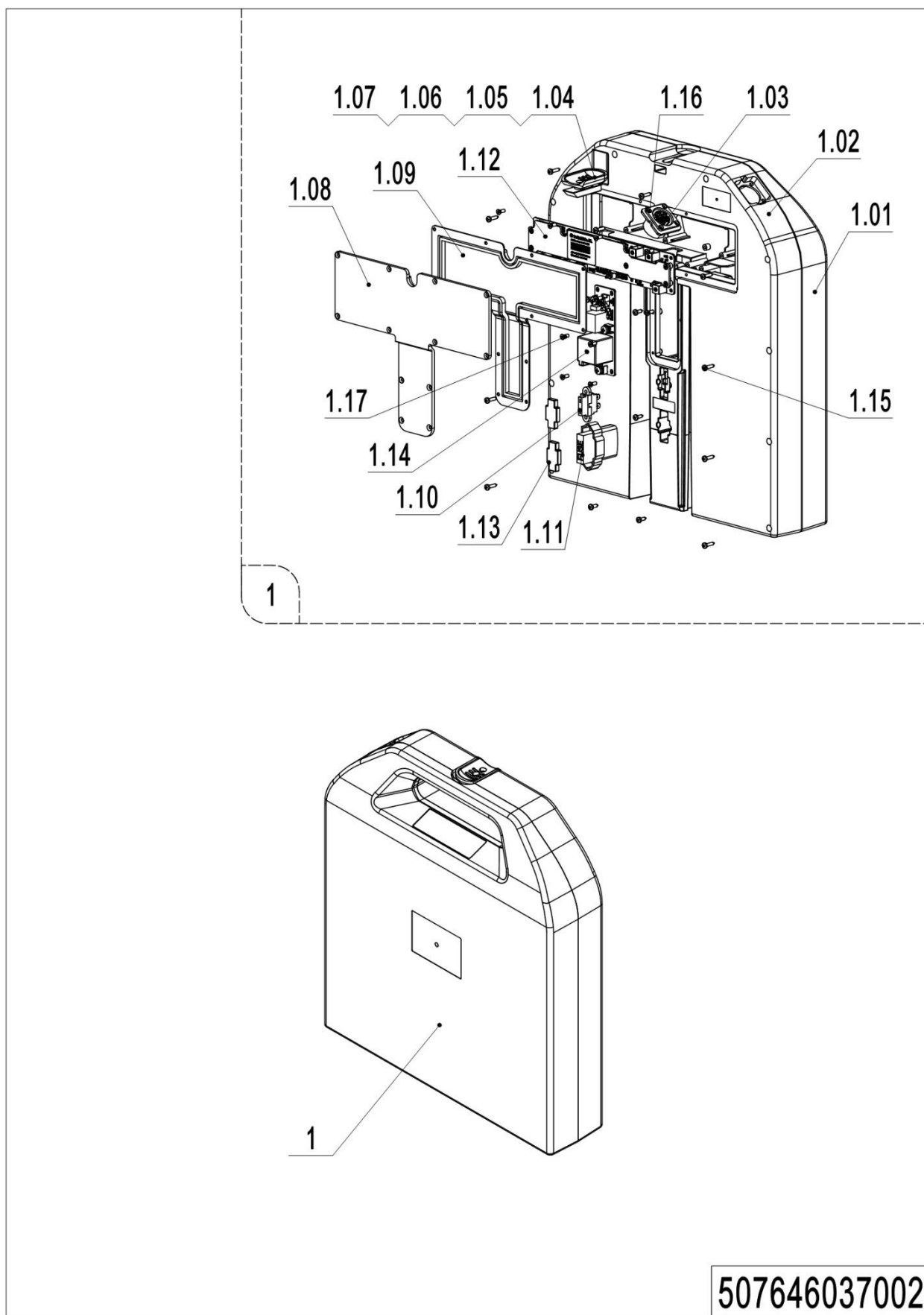
11 Traction Battery(24V40Ah)(PTE15N Pro)(507746037003)

| No. | Item Code | Mark | Item Description | Qty. | Substitute | Note |
|------|--------------|------|---------------------|------|------------|------|
| 1 | 920600100639 | | Li-Battery24V40Ah | 1 | | |
| 1.01 | 507798520001 | | Cover | 1 | | |
| 1.02 | 507798520002 | | Shell | 1 | | |
| 1.03 | 920400200260 | | Connector Assembly | 1 | | |
| 1.04 | 508098520023 | | Fixing Mount | 1 | | |
| 1.05 | 508098520022 | | Plastic Handle | 1 | | |
| 1.06 | 508098520024 | | Spring | 1 | | |
| 1.07 | 910200500011 | | Screw M3x10 | 2 | | |
| 1.08 | 507798520003 | | Close Plate | 1 | | |
| 1.09 | 507798520004 | | Sealing Ring | 1 | | |
| 1.10 | 920100200016 | | Fuse | 1 | | |
| 1.11 | 920100200015 | | Fuse | 1 | | |
| 1.12 | 507798520006 | | NDNL1-BF8S40Ah-MND4 | 1 | | |
| 1.13 | 509998520054 | | Plug | 2 | | |
| 1.14 | 507798520011 | | BF24-SPM3-CD-H | 1 | | |
| 1.15 | 507798520025 | | Screw | 12 | | |
| 1.16 | 507798520026 | | Screw M3 | 4 | | |
| 1.17 | 507798520027 | | Screw M3 | 12 | | |

12 Traction Battery(48V20Ah)(PTE20N Pro)(507646037001)

12 Traction Battery(48V20Ah)(PTE20N Pro)(507646037001)

| No. | Item Code | Mark | Item Description | Qty. | Substitute | Note |
|------|--------------|------|----------------------|------|------------|------|
| 1 | 920600100435 | | Li-Battery48V20Ah | 1 | | |
| 1.01 | 507798520001 | | Cover | 1 | | |
| 1.02 | 507798520002 | | Shell | 1 | | |
| 1.03 | 920400200261 | | Connector Assembly | 1 | | |
| 1.04 | 508098520023 | | Fixing Mount | 1 | | |
| 1.05 | 508098520022 | | Plastic Handle | 1 | | |
| 1.06 | 508098520024 | | Spring | 1 | | |
| 1.07 | 910200500011 | | Screw M3x10 | 2 | | |
| 1.08 | 507798520003 | | Close Plate | 1 | | |
| 1.09 | 507798520004 | | Sealing Ring | 1 | | |
| 1.10 | 920100200017 | | Fuse | 1 | | |
| 1.11 | 920100200018 | | Fuse | 1 | | |
| 1.12 | 507798520007 | | NDNL1-BF15S20Ah-MND3 | 1 | | |
| 1.13 | 509998520054 | | Plug | 2 | | |
| 1.14 | 507798520009 | | BF48-SPM3-CD | 1 | | |
| 1.15 | 507798520025 | | Screw | 12 | | |
| 1.16 | 507798520026 | | Screw M3 | 4 | | |
| 1.17 | 507798520027 | | Screw M3 | 12 | | |

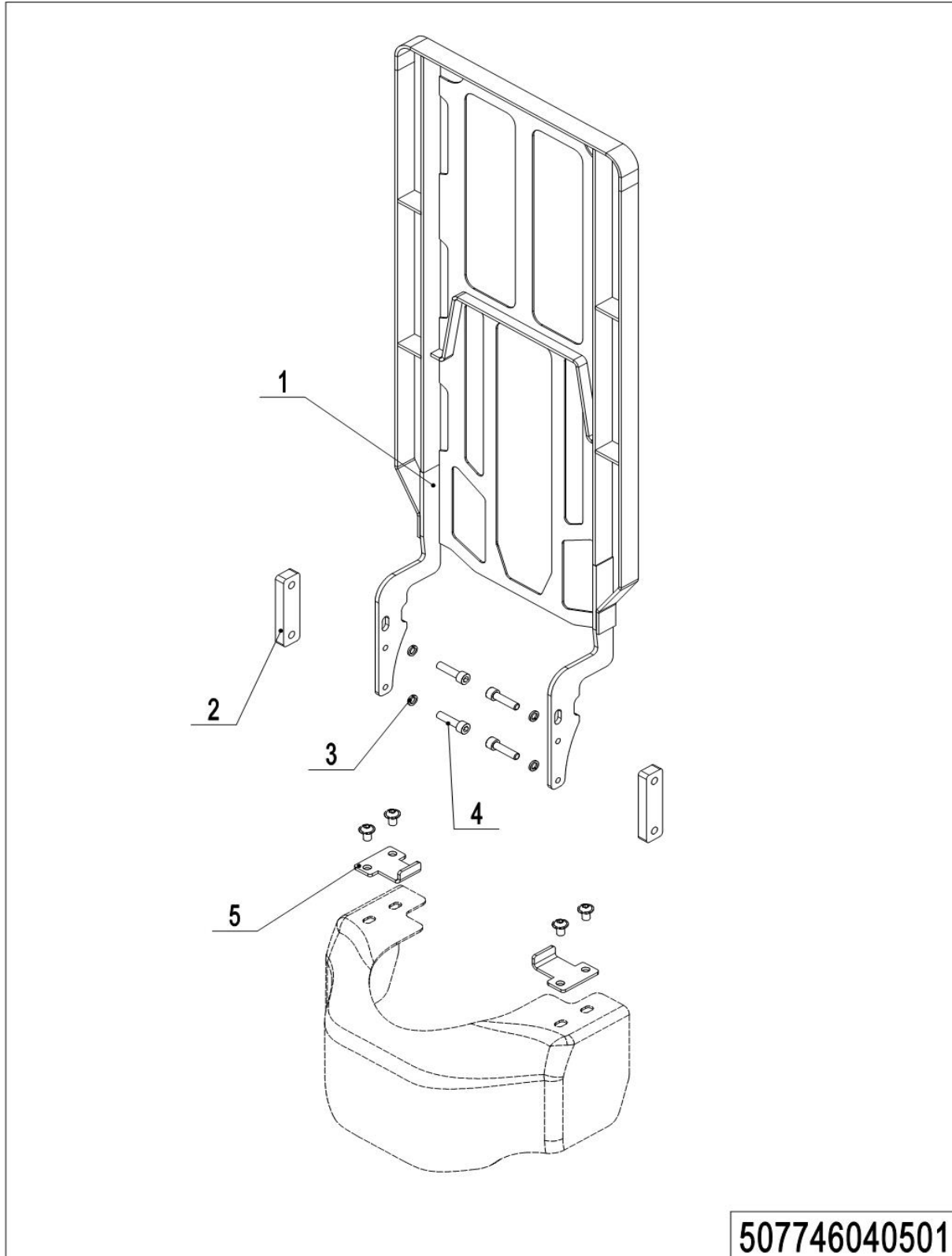
13 Traction Battery(48V20Ah)(PTE20N Pro)(507646037002)

13 Traction Battery(48V20Ah)(PTE20N Pro)(507646037002)

| No. | Item Code | Mark | Item Description | Qty. | Substitute | Note |
|------|--------------|------|----------------------|------|------------|------|
| 1 | 920600100640 | | Li-Battery48V20Ah | 1 | | |
| 1.01 | 507798520001 | | Cover | 1 | | |
| 1.02 | 507798520002 | | Shell | 1 | | |
| 1.03 | 920400200261 | | Connector Assembly | 1 | | |
| 1.04 | 508098520023 | | Fixing Mount | 1 | | |
| 1.05 | 508098520022 | | Plastic Handle | 1 | | |
| 1.06 | 508098520024 | | Spring | 1 | | |
| 1.07 | 910200500011 | | Screw M3x10 | 2 | | |
| 1.08 | 507798520003 | | Close Plate | 1 | | |
| 1.09 | 507798520004 | | Sealing Ring | 1 | | |
| 1.10 | 920100200017 | | Fuse | 1 | | |
| 1.11 | 920100200018 | | Fuse | 1 | | |
| 1.12 | 507798520007 | | NDNL1-BF15S20Ah-MND3 | 1 | | |
| 1.13 | 509998520054 | | Plug | 2 | | |
| 1.14 | 507798520012 | | BF48-SPM3-CD-H | 1 | | |
| 1.15 | 507798520025 | | Screw | 12 | | |
| 1.16 | 507798520026 | | Screw M3 | 4 | | |
| 1.17 | 507798520027 | | Screw M3 | 12 | | |

Chapter 6: Special Parts

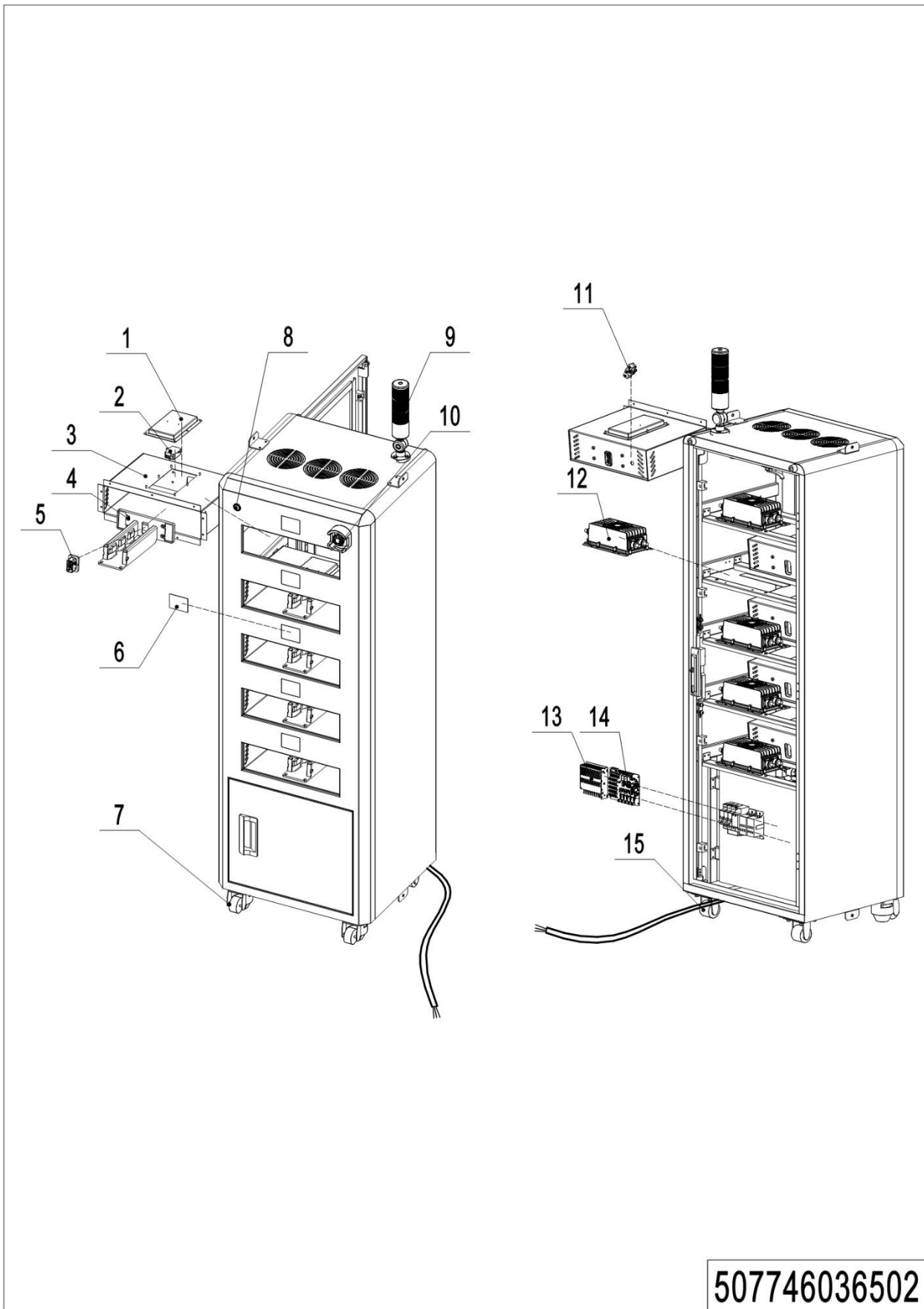
01 Load Backrest(507746040501)



01 Load Backrest(507746040501)

| No. | Item Code | Mark | Item Description | Qty. | Substitute | Note |
|-----|--------------|------|------------------|------|------------|------|
| 1 | 507740510001 | | Load Backrest | 1 | | |
| 1 | 507740510002 | | Load Backrest | 1 | | |
| 1 | 507740510003 | | Load Backrest | 1 | | |
| 2 | 508040520000 | 1 | Subplate | 2 | | |
| 3 | 910400500007 | 1 | Spring Washer | 4 | | |
| 4 | 910200200079 | 1 | Screw M10x40 | 4 | | |
| 5 | 508040520017 | 1 | Stop Plate | 2 | | |

02 Charging cabinets(PTE15N Pro)(507746040502)



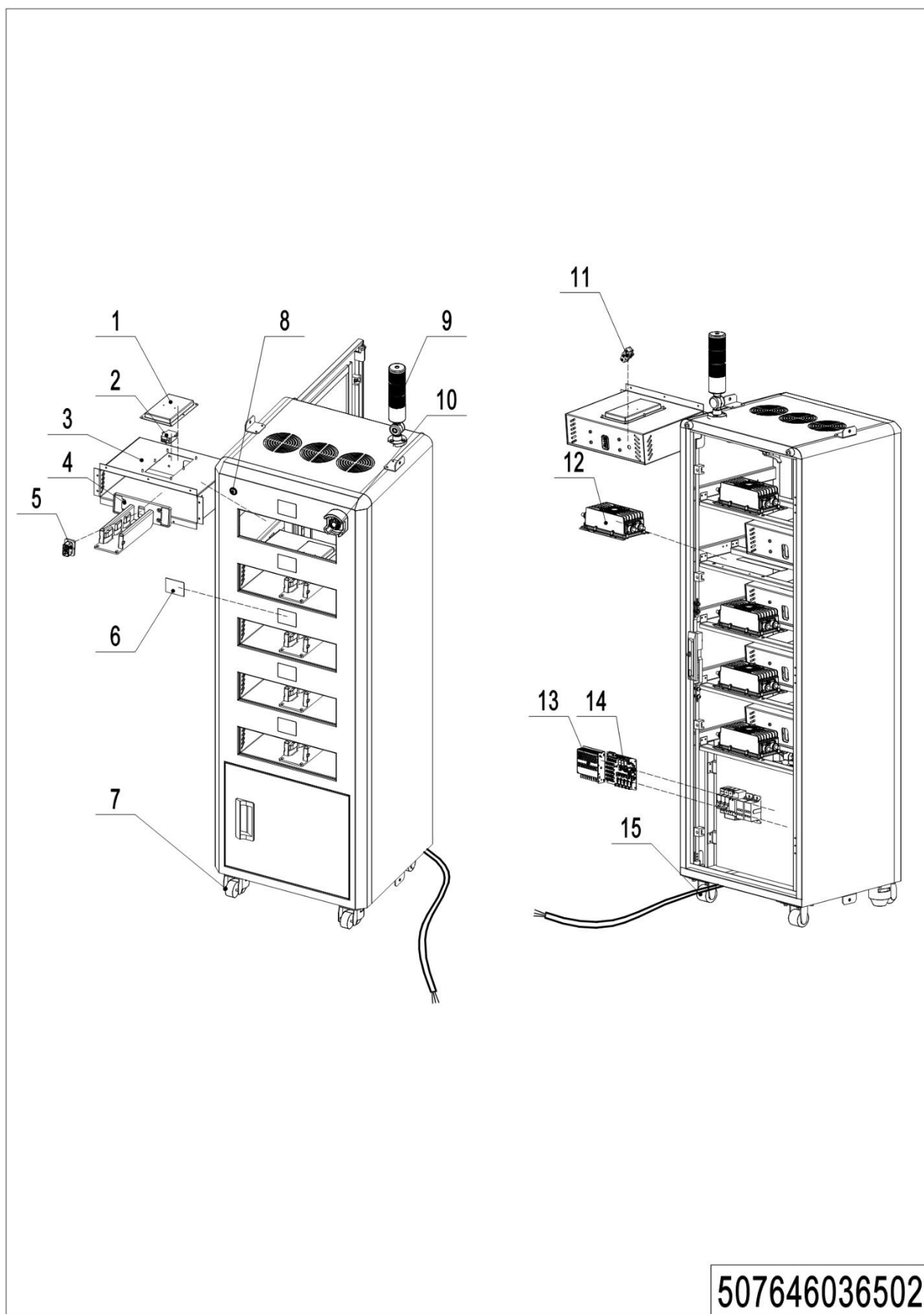
02 Charging cabinets(PTE15N Pro)(507746040502)

| No. | Item Code | Mark | Item Description | Qty. | Substitute | Note |
|-----|--------------|------|-----------------------|------|------------|------|
| 1 | 507798520049 | | Fixing Sheet Metal | 5 | | |
| 2 | 507798520050 | | Aerosol | 5 | | |
| 3 | 507798520051 | | Battery Compartment | 5 | | |
| 4 | 920600100436 | 1 | Guiding Column | 5 | | |
| 5 | 507798520052 | 1 | Wire Harness Assembly | 5 | | |
| 6 | 507798520054 | 1 | Display Screen | 5 | | |
| 7 | 507798520058 | 1 | Unidirectional Wheel | 2 | | |
| 8 | 507798520055 | | Switch | 1 | | |
| 9 | 507798520056 | | Beacon | 1 | | |
| 10 | 507798520057 | | Emergency Stop Button | 1 | | |
| 11 | 507798520059 | | Microswitch | 5 | | |
| 12 | 507798520060 | | Charger | 5 | | |
| 13 | 507798520063 | | Module | 1 | | |
| 14 | 507798520062 | | Main Control Board | 1 | | |
| 15 | 507798520064 | | Swivel Caster | 2 | | |

03Charging cabinets(PTE20N Pro)(507646040501)

| No. | Item Code | Mark | Item Description | Qty. | Substitute | Note |
|-----|--------------|------|-----------------------|------|------------|------|
| 1 | 507798520049 | | Fixing Sheet Metal | 5 | | |
| 2 | 507798520050 | | Aerosol | 5 | | |
| 3 | 507798520051 | | Battery Compartment | 5 | | |
| 4 | 920600100436 | | Guiding Column | 5 | | |
| 5 | 507798520052 | | Wire Harness Assembly | 3 | | |
| 6 | 507798520053 | | Wire Harness Assembly | 2 | | |
| 7 | 507798520054 | | Display Screen | 5 | | |
| 8 | 507798520058 | | Unidirectional Wheel | 2 | | |
| 9 | 507798520055 | | Switch | 1 | | |
| 10 | 507798520056 | | Beacon | 1 | | |
| 11 | 507798520057 | | Emergency Stop Button | 1 | | |
| 12 | 507798520059 | | Microswitch | 5 | | |
| 13 | 507798520060 | | Charger | 5 | | |
| 14 | 507798520063 | | Module | 1 | | |
| 15 | 507798520062 | | Main Control Board | 1 | | |
| 16 | 507798520064 | | Swivel Caster | 2 | | |

04 Charging cabinets(PTE20N Pro)(507646040502)



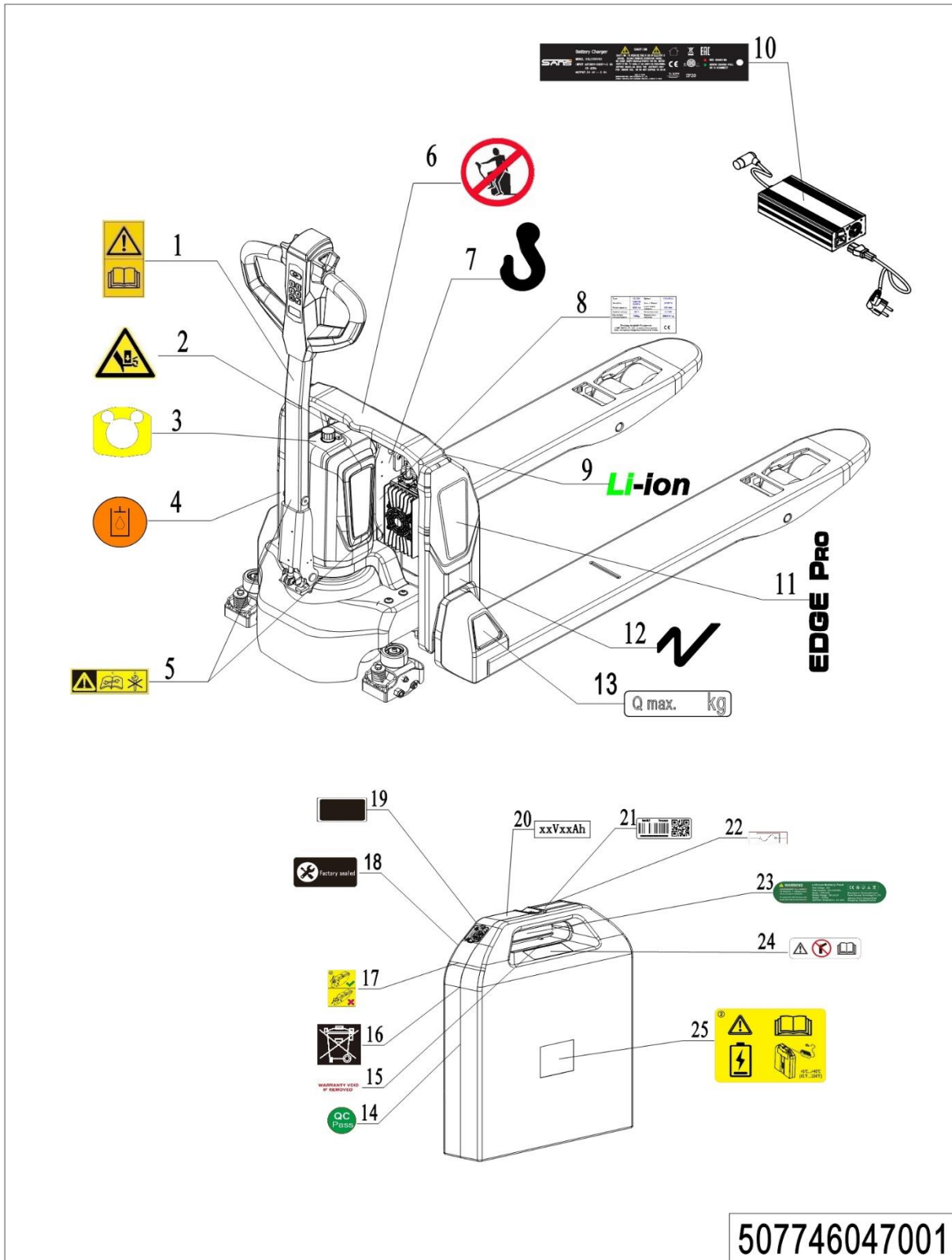
04Charging cabinets(PTE20N Pro)(507646040502)

| No. | Item Code | Mark | Item Description | Qty. | Substitute | Note |
|-----|--------------|------|-----------------------|------|------------|------|
| 1 | 507798520049 | | Fixing Sheet Metal | 5 | | |
| 2 | 507798520050 | | Aerosol | 5 | | |
| 3 | 507798520051 | | Battery Compartment | 5 | | |
| 4 | 920600100436 | | Guiding Column | 5 | | |
| 5 | 507798520053 | | Wire Harness Assembly | 5 | | |
| 6 | 507798520054 | | Display Screen | 5 | | |
| 7 | 507798520058 | | Unidirectional Wheel | 2 | | |
| 8 | 507798520055 | | Switch | 1 | | |
| 9 | 507798520056 | | Beacon | 1 | | |
| 10 | 507798520057 | | Emergency Stop Button | 1 | | |
| 11 | 507798520059 | | Microswitch | 5 | | |
| 12 | 507798520060 | | Charger | 5 | | |
| 13 | 507798520063 | | Module | 1 | | |
| 14 | 507798520062 | | Main Control Board | 1 | | |
| 15 | 507798520064 | | Swivel Caster | 2 | | |

01 Labels and Decals-EU(PTE15N Pro)(507746047001)

| No. | Item Code | Mark | Item Description | Qty. | Substitute | Note |
|-----|--------------|------|----------------------|------|------------|-------------------------|
| 1 | 941200300002 | | Label | 1 | | |
| 2 | 508047020007 | | Label | 1 | | |
| 3 | 508047020000 | | Label | 1 | | |
| 4 | 941200300003 | | Label | 1 | | |
| 5 | 508047020004 | | Label | 2 | | |
| 6 | 941200100003 | | Label | 1 | | |
| 7 | 941200300001 | | Label | 2 | | |
| 8 | 507747520050 | | Identification Plate | 1 | | 540x1150-24v20Ah |
| 8 | 507747520051 | | Identification Plate | 1 | | 540x1150-24v40Ah |
| 8 | 507747520052 | | Identification Plate | 1 | | 685x1150-24v20Ah |
| 8 | 507747520053 | | Identification Plate | 1 | | 685x1150-24v40Ah |
| 9 | 507798520028 | | Label | 1 | | |
| 10 | 508047520005 | | Label | 1 | | |
| 11 | 507747020005 | | Label | 1 | | |
| 12 | 510847020003 | | Label | 2 | | |
| 13 | 507747020002 | | Label | 2 | | |
| 14 | 510847020015 | | Label | 1 | | |
| 15 | 510817020014 | | Label | 1 | | |
| 16 | 508047020015 | | Label | 1 | | |
| 17 | 507798520030 | | Label | 1 | | |
| 18 | 507798520031 | | Label | 1 | | |
| 19 | 507798520032 | | Label | 1 | | |
| 20 | 507798520033 | | Label | 1 | | 24V20Ah |
| 20 | 507798520034 | | Label | 1 | | 24V40Ah |
| 20 | 507798520035 | | Label | 1 | | 24V40Ah Battery heating |
| 21 | 507798520036 | | Label | 2 | | |
| 22 | 510847020008 | | Label | 1 | | |
| 23 | 507798520037 | | Identification Plate | 1 | | 24V20Ah |
| 23 | 507798520038 | | Identification Plate | 1 | | 24V40Ah |
| 23 | 507798520039 | | Identification Plate | 1 | | 24V40Ah Battery heating |

01 Labels and Decals-EU(PTE15N Pro)(507746047001) Continuation

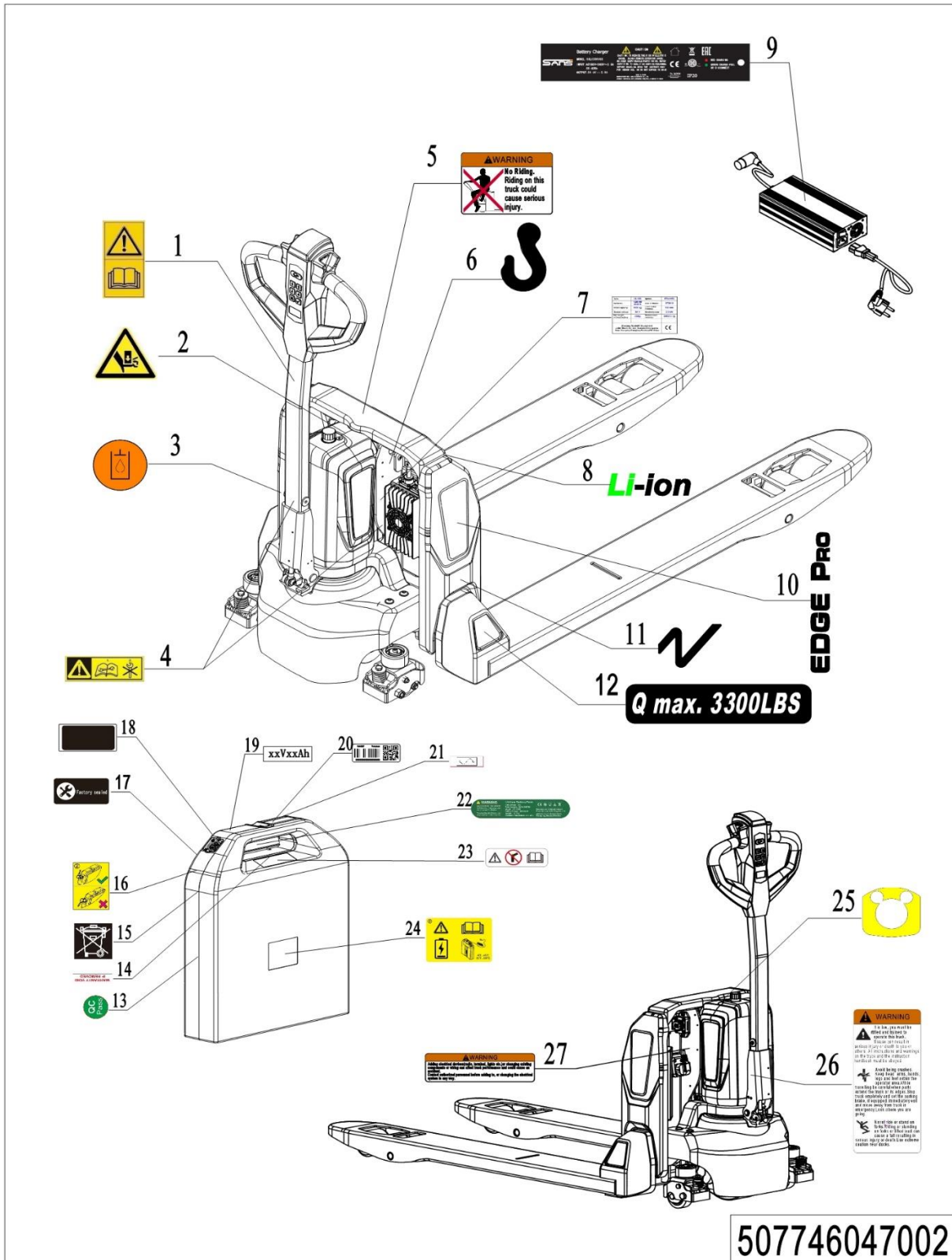


1= Supply as package. 2= Supply with constraints. 3= Phasing-out supply. 4= Supply as assembly. 5= Check other tables.

01 Labels and Decals-EU(PTE15N Pro)(507746047001) Continuation

| No. | Item Code | Mark | Item Description | Qty. | Substitute | Note |
|------------|------------------|-------------|-------------------------|-------------|-------------------|-------------|
| 24 | 510847020013 | | Label | 1 | | |
| 25 | 507798520040 | | Label | 1 | | |

02 Labels and Decals-US(PTE15N Pro)(507746047002)

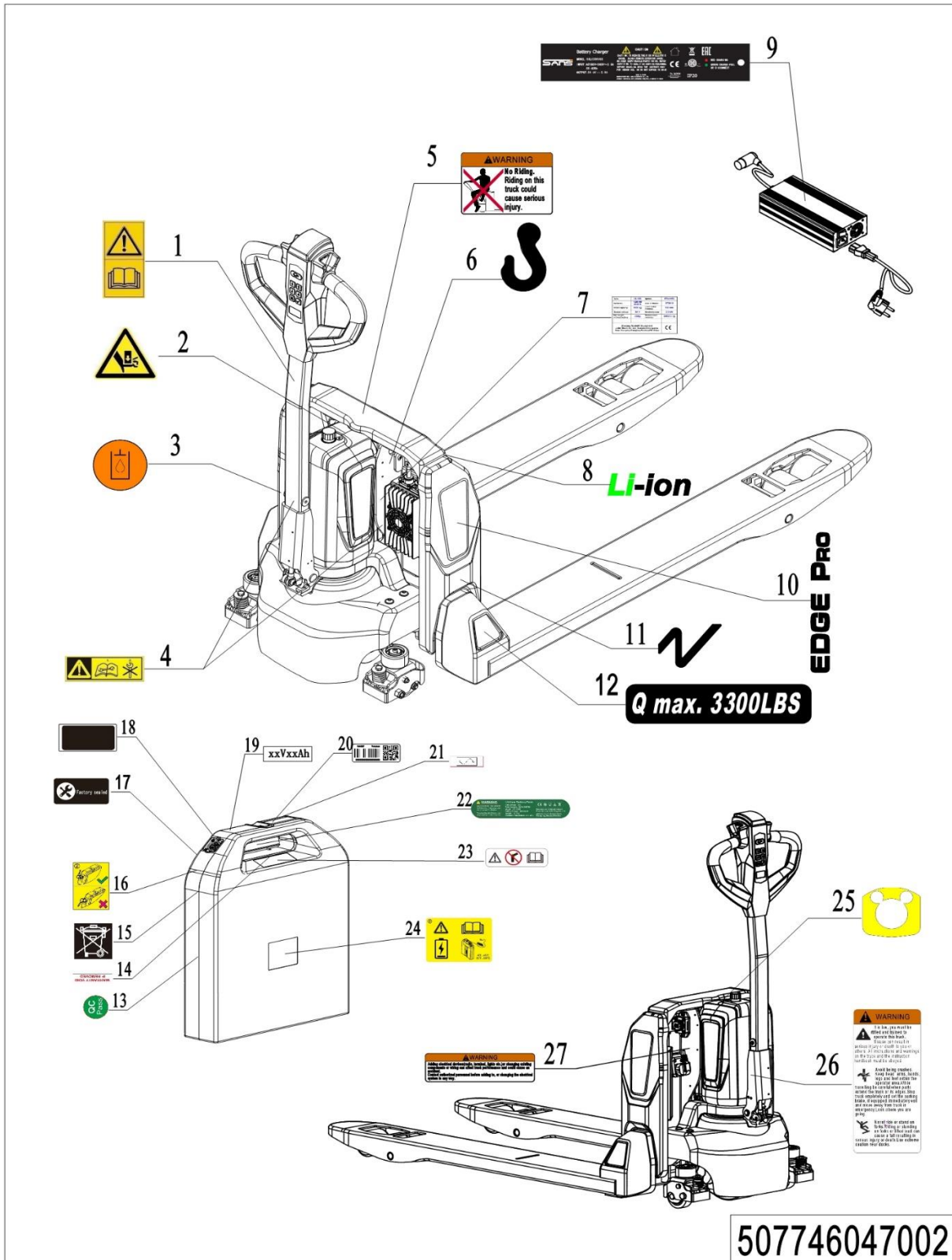


1= Supply as package. 2= Supply with constraints. 3= Phasing-out supply. 4= Supply as assembly. 5= Check other tables.

02 Labels and Decals-US(PTE15N Pro)(507746047002)

| No. | Item Code | Mark | Item Description | Qty. | Substitute | Note |
|-----|--------------|------|----------------------|------|------------|-------------------------|
| 1 | 941200300002 | | Label | 1 | | |
| 2 | 508047020007 | | Label | 1 | | |
| 3 | 941200300003 | | Label | 1 | | |
| 4 | 508047020004 | | Label | 2 | | |
| 5 | 941200100011 | | Label | 1 | | |
| 6 | 941200300001 | | Label | 2 | | |
| 7 | 507747520050 | | Truck data plate | 1 | | 540x1150-24v20Ah |
| 7 | 507747520051 | | Identification Plate | 1 | | 540x1150-24v40Ah |
| 7 | 507747520052 | | Identification Plate | 1 | | 685x1150-24v20Ah |
| 7 | 507747520053 | | Identification Plate | 1 | | 685x1150-24v40Ah |
| 8 | 507798520028 | | Label | 1 | | |
| 9 | 509947020005 | | Label | 1 | | |
| 10 | 507747020005 | | Label | 1 | | |
| 11 | 510847020003 | | Label | 2 | | |
| 12 | 941200200016 | | Label | 2 | | |
| 13 | 510847020015 | | Label | 1 | | |
| 14 | 510817020014 | | Label | 1 | | |
| 15 | 508047020015 | | Label | 1 | | |
| 16 | 507798520030 | | Label | 1 | | |
| 17 | 507798520031 | | Label | 1 | | |
| 18 | 507798520032 | | Label | 1 | | |
| 19 | 507798520033 | | Label | 1 | | 24V20Ah |
| 19 | 507798520034 | | Label | 1 | | 24V40Ah |
| 19 | 507798520035 | | Label | 1 | | 24V40Ah Battery heating |
| 20 | 507798520036 | | Label | 2 | | |
| 21 | 510847020008 | | Label | 1 | | |
| 22 | 507798520037 | | Identification Plate | 1 | | 24V20Ah |
| 22 | 507798520038 | | Identification Plate | 1 | | 24V40Ah |
| 22 | 507798520039 | | Identification Plate | 1 | | 24V40Ah Battery heating |
| 23 | 510847020013 | | Label | 1 | | |

02 Labels and Decals-US(PTE15N Pro)(507746047002) Continuation

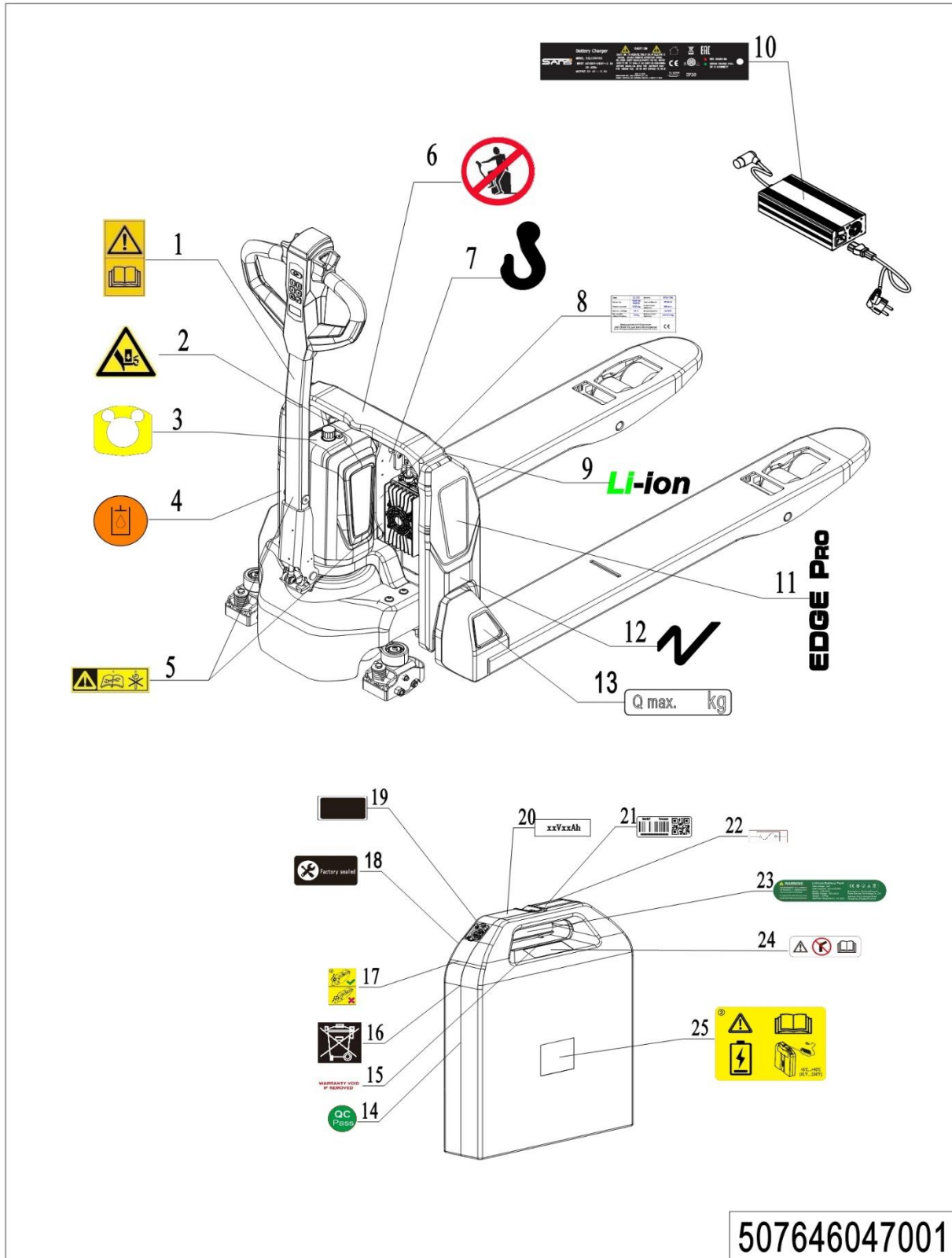


1= Supply as package. 2= Supply with constraints. 3= Phasing-out supply. 4= Supply as assembly. 5= Check other tables.

02 Labels and Decals-US(PTE15N Pro)(507746047002) Continuation

| No. | Item Code | Mark | Item Description | Qty. | Substitute | Note |
|-----|--------------|------|------------------|------|------------|------|
| 24 | 507798520040 | | Label | 1 | | |
| 25 | 508047020000 | | Label | 1 | | |
| 26 | 941200100009 | | Label | 1 | | |
| 27 | 941200100010 | | Label | 1 | | |

03 Labels and Decals-EU(PTE20N Pro)(507646047001)



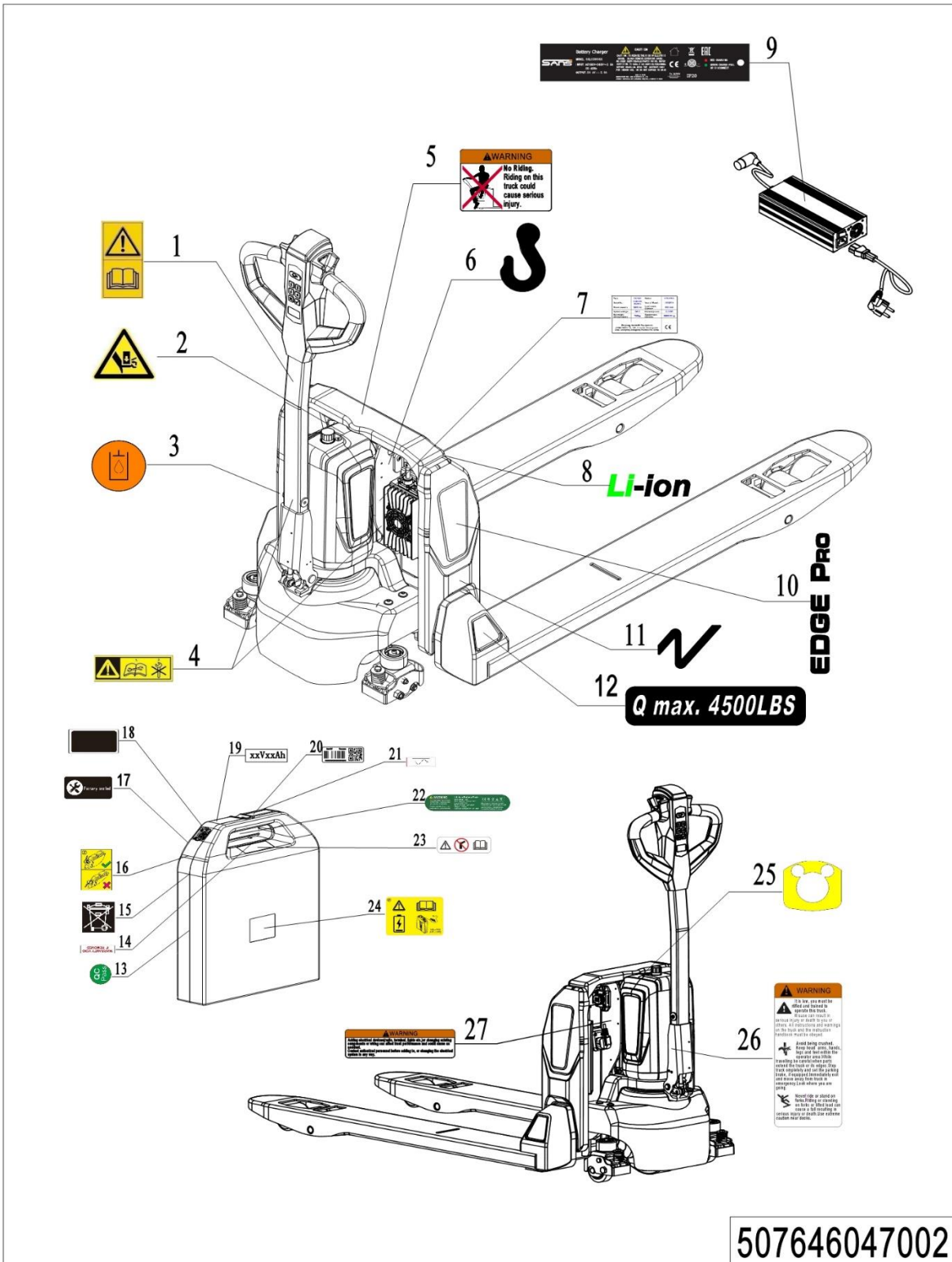
507646047001

1= Supply as package. 2= Supply with constraints. 3= Phasing-out supply. 4= Supply as assembly. 5= Check other tables.

03 Labels and Decals-EU(PTE20N Pro)(507646047001)

| No. | Item Code | Mark | Item Description | Qty. | Substitute | Note |
|-----|--------------|------|----------------------|------|------------|-------------------------|
| 1 | 941200300002 | | Label | 1 | | |
| 2 | 508047020007 | | Label | 1 | | |
| 3 | 508047020000 | | Label | 1 | | |
| 4 | 941200300003 | | Label | 1 | | |
| 5 | 508047020004 | | Label | 2 | | |
| 6 | 941200100003 | | Label | 1 | | |
| 7 | 941200300001 | | Label | 2 | | |
| 8 | 507647520050 | | Identification Plate | 1 | | 540x1150-48v20Ah |
| 8 | 507647520051 | | Identification Plate | 1 | | 685x1150-48v20Ah |
| 9 | 507798520028 | | Label | 1 | | |
| 10 | 508047520005 | | Label | 1 | | |
| 11 | 507747020005 | | Label | 1 | | |
| 12 | 510847020003 | | Label | 2 | | |
| 13 | 507647020000 | | Label | 2 | | |
| 14 | 510847020015 | | Label | 1 | | |
| 15 | 510817020014 | | Label | 1 | | |
| 16 | 508047020015 | | Label | 1 | | |
| 17 | 507798520030 | | Label | 1 | | |
| 18 | 507798520031 | | Label | 1 | | |
| 19 | 507798520032 | | Label | 1 | | |
| 20 | 507698520002 | | Label | 1 | | 48V20Ah |
| 20 | 507698520003 | | Label | 1 | | 48V20Ah Battery heating |
| 21 | 507698520004 | | Label | 2 | | |
| 22 | 510847020008 | | Label | 1 | | |
| 23 | 507698520005 | | Identification Plate | 1 | | 48V20Ah |
| 23 | 507698520006 | | Identification Plate | 1 | | 48V20Ah Battery heating |
| 24 | 510847020013 | | Label | 1 | | |
| 25 | 507798520040 | | Label | 1 | | |

04 Labels and Decals-US(PTE20N Pro)(507646047002)



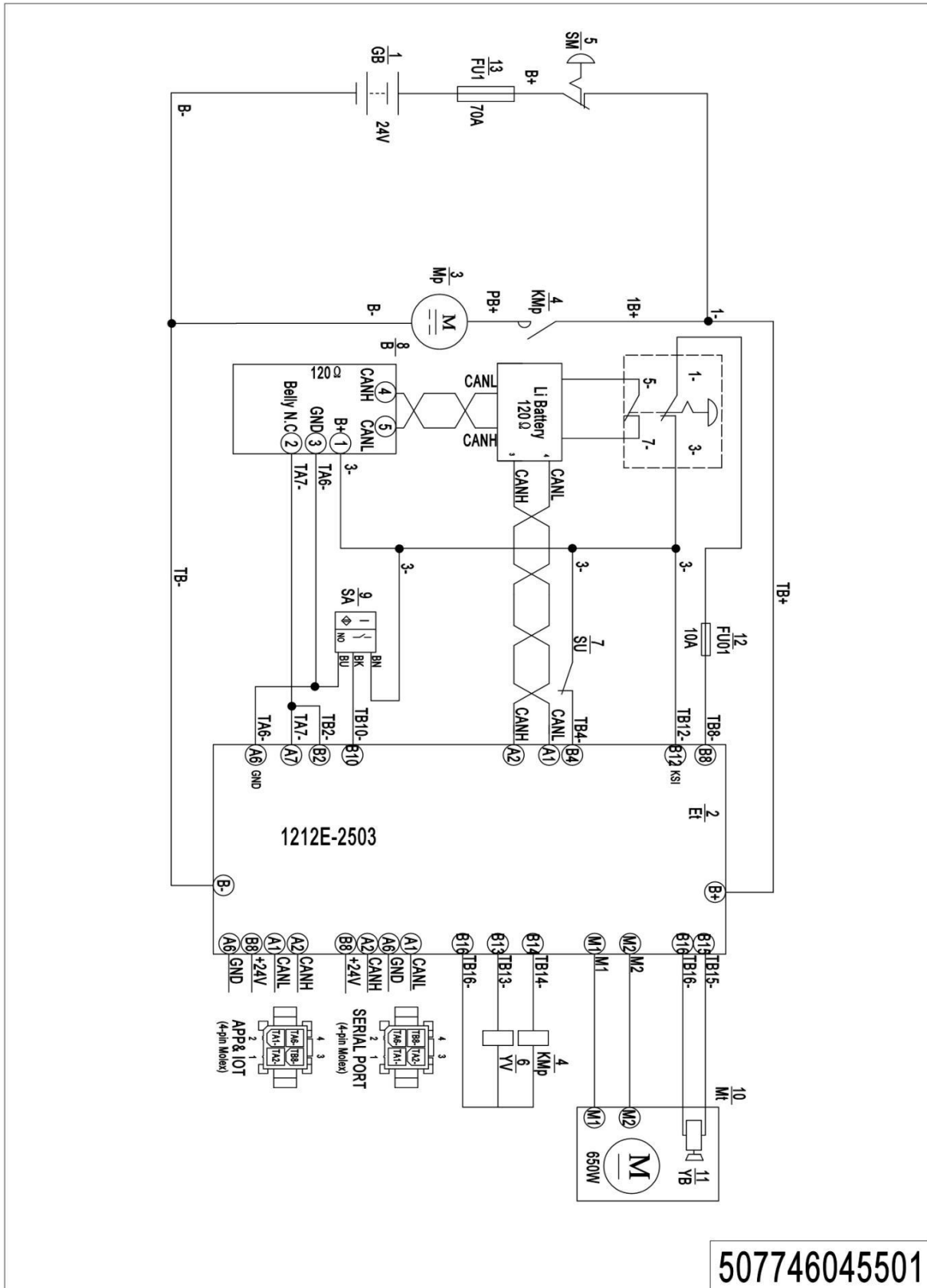
1= Supply as package. 2= Supply with constraints. 3= Phasing-out supply. 4= Supply as assembly. 5= Check other tables.

04 Labels and Decals-EU(PTE20N Pro)(507646047002)

| No. | Item Code | Mark | Item Description | Qty. | Substitute | Note |
|-----|--------------|------|----------------------|------|------------|-------------------------|
| 1 | 941200300002 | | Label | 1 | | |
| 2 | 508047020007 | | Label | 1 | | |
| 3 | 941200300003 | | Label | 1 | | |
| 4 | 508047020004 | | Label | 2 | | |
| 5 | 941200100011 | | Label | 1 | | |
| 6 | 941200300001 | | Label | 2 | | |
| 7 | 507647520000 | | Identification Plate | 1 | | 540x1150-48v20Ah |
| 7 | 507647520001 | | Identification Plate | 1 | | 685x1150-48v20Ah |
| 8 | 507798520028 | | Label | 1 | | |
| 9 | 508047520005 | | Label | 1 | | |
| 10 | 507747020005 | | Label | 1 | | |
| 11 | 510847020003 | | Label | 2 | | |
| 12 | 941200200050 | | Label | 2 | | |
| 13 | 510847020015 | | Label | 1 | | |
| 14 | 510817020014 | | Label | 1 | | |
| 15 | 508047020015 | | Label | 1 | | |
| 16 | 507798520030 | | Label | 1 | | |
| 17 | 507798520031 | | Label | 1 | | |
| 18 | 507798520032 | | Label | 1 | | |
| 19 | 507698520002 | | Label | 1 | | 48V20Ah |
| 19 | 507698520003 | | Label | 1 | | 48V20Ah Battery heating |
| 20 | 507698520004 | | Label | 2 | | |
| 21 | 510847020008 | | Label | 1 | | |
| 22 | 507698520005 | | Identification Plate | 1 | | 48V20Ah |
| 22 | 507698520006 | | Identification Plate | 1 | | 48V20Ah Battery heating |
| 23 | 510847020013 | | Label | 1 | | |
| 24 | 507798520040 | | Label | 1 | | |
| 25 | 508047020000 | | Label | 1 | | |
| 26 | 941200100009 | | Label | 1 | | |
| 27 | 941200100010 | | Label | 1 | | |

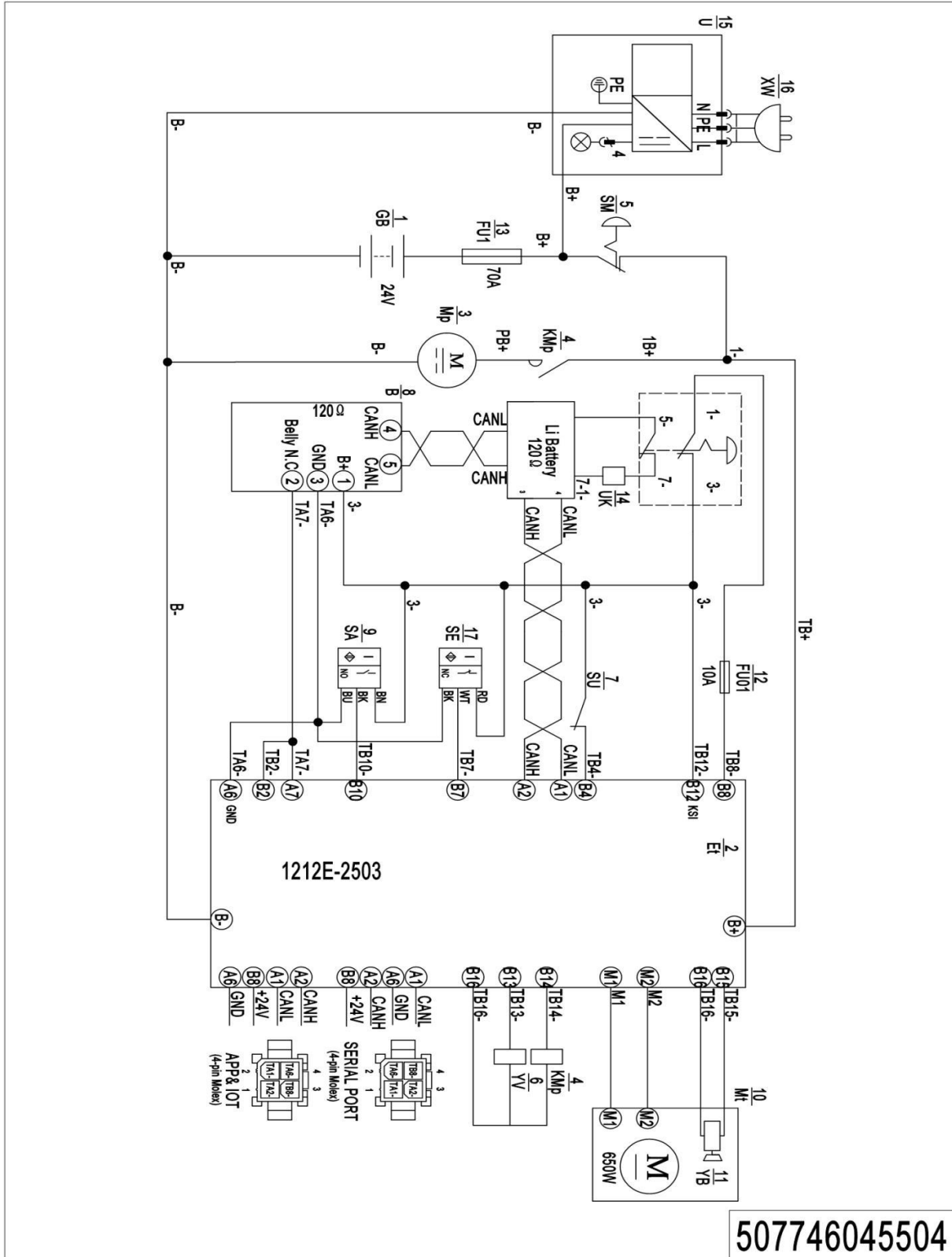
Appendix

01 Electrical Circuit Diagram(PTE15N Pro)(507746045501)



1= Supply as package. 2= Supply with constraints. 3= Phasing-out supply. 4= Supply as assembly. 5= Check other tables.

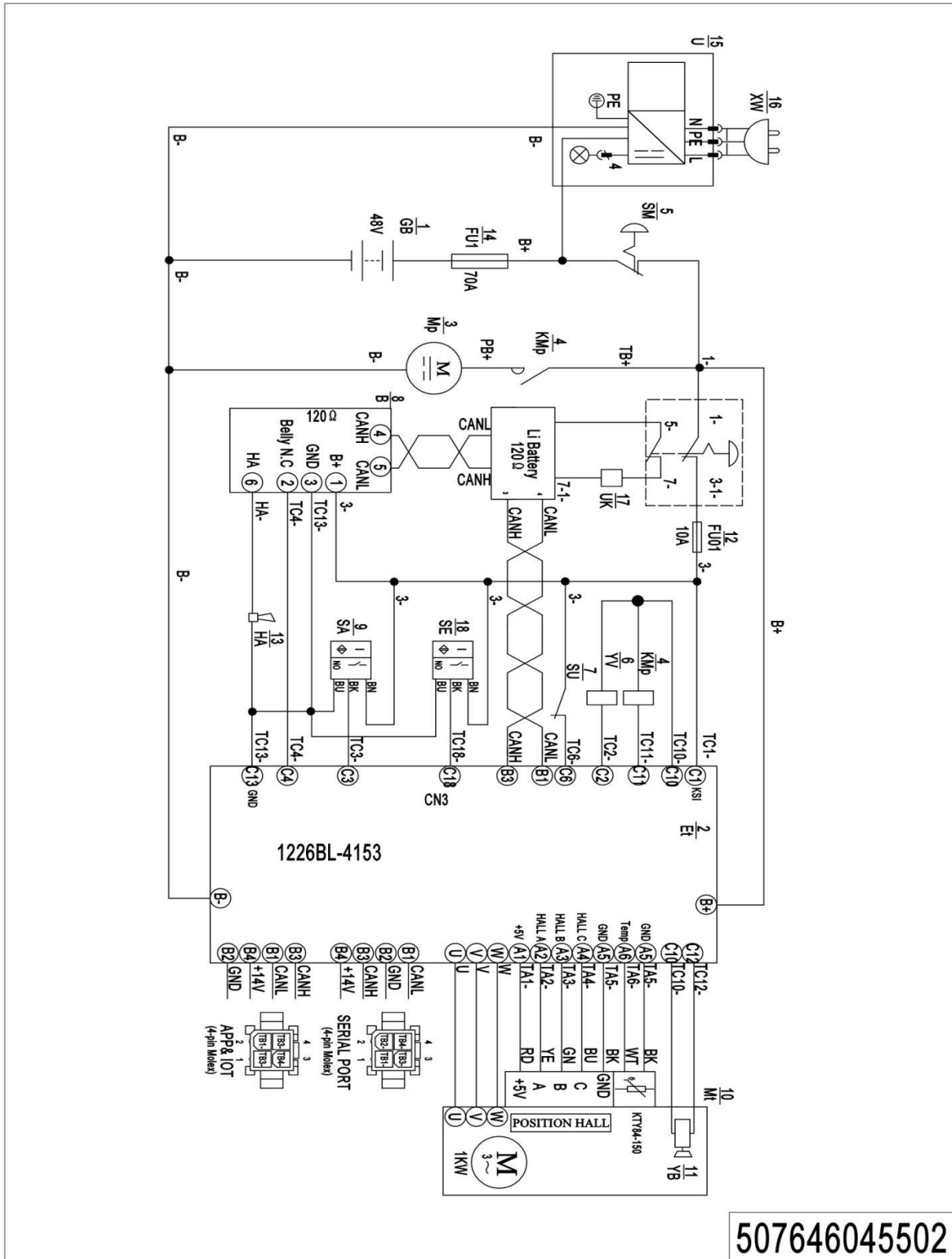
04 Electrical Circuit Diagram(PTE15N Pro)(507746045504)



507746045504

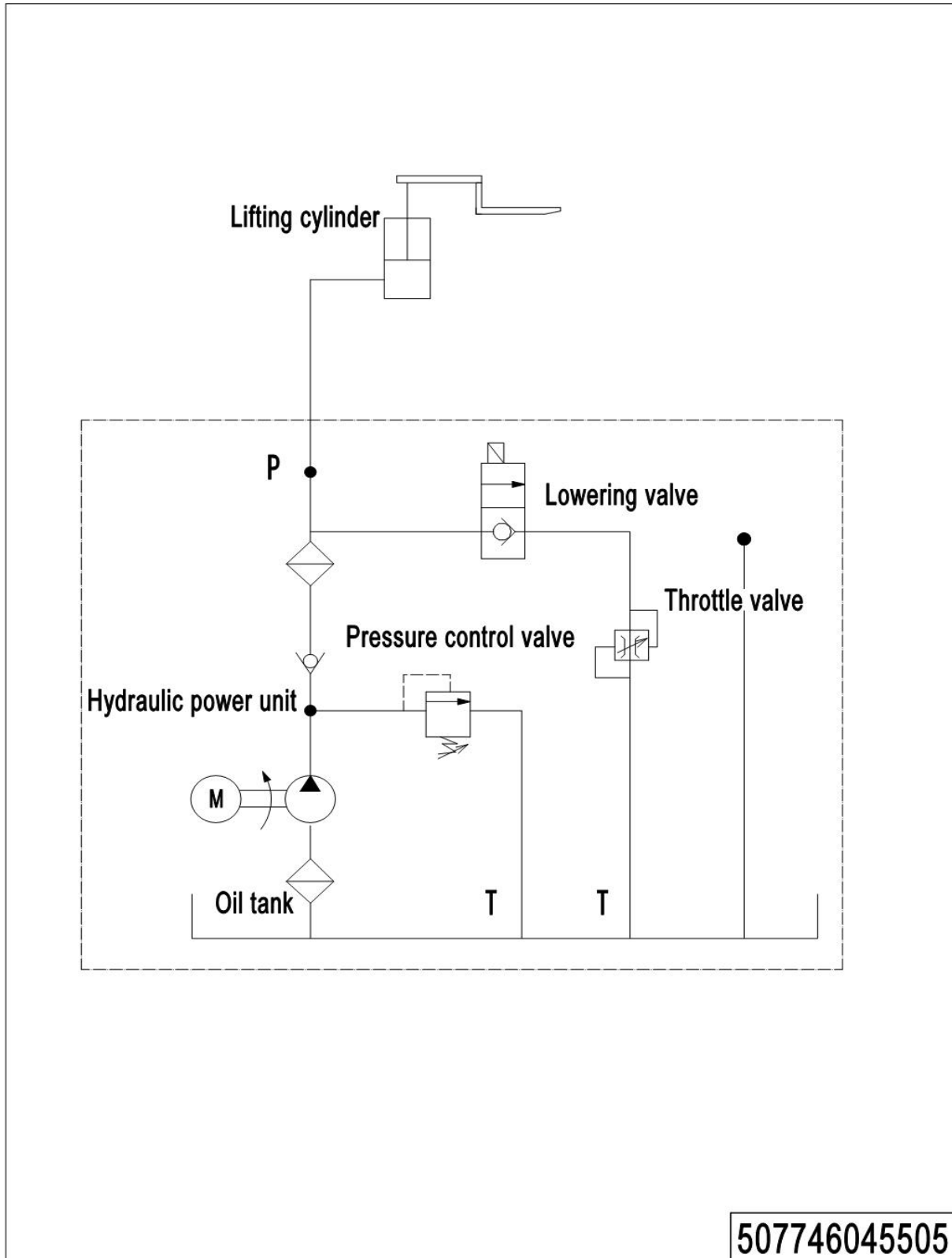
1= Supply as package. 2= Supply with constraints. 3= Phasing-out supply. 4= Supply as assembly. 5= Check other tables.

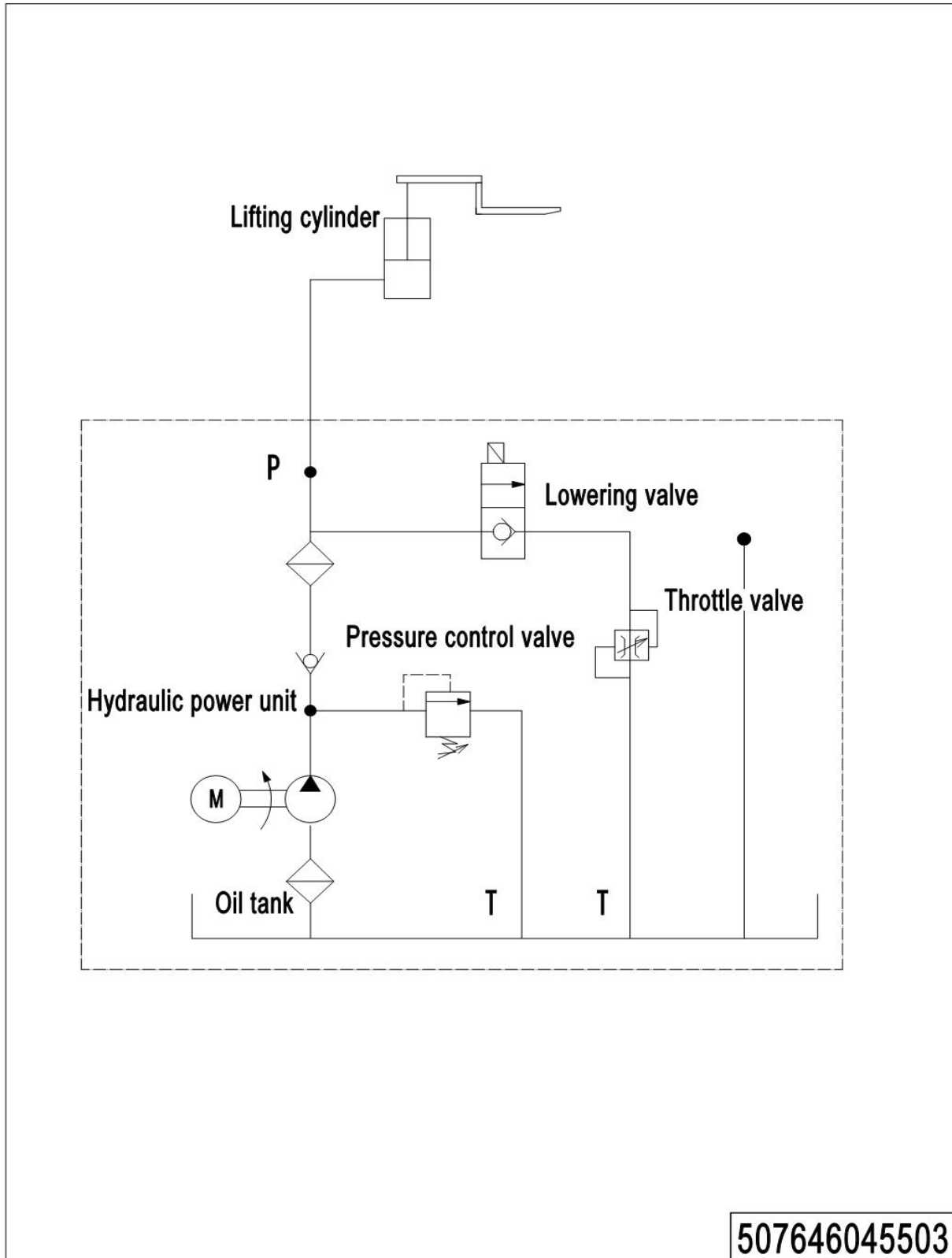
06 Electrical Circuit Diagram(PTE20N Pro)(507646045502)



507646045502

1= Supply as package. 2= Supply with constraints. 3= Phasing-out supply. 4= Supply as assembly. 5= Check other tables.

07 Hydraulic Circuit Diagram(PTE15N Pro)(507746045505)

08 Hydraulic Circuit Diagram(PTE20N Pro)(507646045503)

09 Consumable Parts List

| No. | Item Code | Item Description | Qty. | Chapter/ Section/ Number |
|-----|--------------|----------------------|------|-------------------------------------|
| 1 | 910700200058 | Bearing | 1 | Chapter 1/01/5. Chapter 1/03/4 |
| 2 | 910700600044 | Bearing | 1 | Chapter 1/01/7. Chapter 1/03/6 |
| 3 | 507798520021 | Bearing | 1 | Chapter 1/02/1.02 |
| 4 | 507798520023 | Carbon Brush | 4 | Chapter 1/02/1.04 |
| 5 | 910700200044 | Bearing | 1 | Chapter 1/04/5 |
| 6 | 961004000009 | Drive Wheel | 1 | Chapter 1/02/2. Chapter 1/04/2 |
| 7 | 961004200001 | Drive Wheel | 1 | Chapter 1/02/2. Chapter 1/04/2 |
| 8 | 508598510002 | Proximity Switch Kit | 1 | Chapter 1/03/13 |
| 9 | 508098520008 | Brush | 1 | Chapter 2/01/4.02 |
| 10 | 508098510018 | Seal Kit | 1 | Chapter 2/01/9.01 |
| 11 | 508598510004 | Seal Kit | 1 | Chapter 2/01/9.03 Chapter 2/02/8.02 |
| 12 | 508598510005 | Seal Kit | 1 | Chapter 2/02/8.01 |
| 13 | 940500100097 | Bushing | 2 | Chapter 3/01/24 Chapter 3/02/24 |
| 14 | 910201000005 | Screw M6x8 | 2 | Chapter 3/01/30.2 |
| 15 | 940500100083 | Bushing | 8 | Chapter 3/01/26 Chapter 3/02/27 |
| 16 | 911200100001 | Oil Cup | 2 | Chapter 3/01/30.07 |
| 17 | 508033010040 | Wire Harness | 1 | Chapter 4/01/4 |
| 18 | 508598510005 | Seal Kit | 1 | Chapter 4/02/4 |
| 19 | 940500200001 | Bushing | 2 | Chapter 4/01/6 Chapter 4/02/6 |
| 20 | 920200400026 | Proximity Switch | 1 | Chapter 4/01/9 Chapter 4/02/9 |
| 21 | 508011010001 | Gas Spring | 1 | Chapter 4/01/10.3 Chapter 4/02/10.3 |
| 22 | 505638520039 | Running Pulley | 2 | Chapter 4/05/1.02 Chapter 4/06/1.02 |
| 23 | 508098510049 | Wheel Kits | 2 | Chapter 4/05/2 Chapter 4/06/2 |
| 24 | 940500200038 | Bushing | 4 | Chapter 4/05/2.01 Chapter 4/06/2.01 |
| 25 | 910700200019 | Bearing | 8/4 | Chapter 4/05/2.04 Chapter 4/06/2.04 |
| 26 | 940300300005 | WheelΦ80x70 | 4 | Chapter 4/06/2.05 |
| 27 | 940300300047 | WheelΦ80x70 | 4 | Chapter 4/05/2.05 |
| 28 | 940300300023 | WheelΦ80x93 | 4 | Chapter 4/05/3.01 Chapter 4/06/3.01 |
| 29 | 940500100083 | Bushing | 4 | Chapter 4/06/2.09 |
| 30 | 508098510050 | Wheel Kits | 2 | Chapter 4/06/3 |
| 31 | 910700200018 | Bearing | 2 | Chapter 4/07/6.1 |

09 Consumable Parts List(Continuation)

| No. | Item Code | Item Description | Qty. | Chapter/ Section/ Number |
|-----|--------------|------------------|------|-------------------------------------|
| 32 | 940300300017 | WheelΦ80x30 | 1 | Chapter 4/07/6.2 |
| 33 | 508098510047 | Spring Kit | 2 | Chapter 4/07/7 |
| 34 | 508033010040 | Wire Harness | 1 | Chapter 5/01/1 |
| 35 | 508033010034 | Wire Harness | 1 | Chapter 5/01/2 |
| 36 | 507733010002 | Wire Harness | 1 | Chapter 5/01/3 |
| 37 | 507733010003 | Wire Harness | 1 | Chapter 5/01/3 |
| 38 | 507733010000 | Wire Harness | 1 | Chapter 5/01/4 |
| 39 | 507733010001 | Wire Harness | 1 | Chapter 5/01/4 |
| 40 | 507733010004 | Wire Harness | 1 | Chapter 5/01/4 |
| 41 | 507733010005 | Wire Harness | 1 | Chapter 5/01/4 |
| 42 | 508033010036 | Cables | 1 | Chapter 5/01/5 |
| 43 | 508033010033 | Cables | 1 | Chapter 5/01/6 |
| 44 | 508033010006 | Wire Harness | 1 | Chapter 5/01/7 |
| 45 | 508033010032 | Wire Harness | 1 | Chapter 5/01/7 |
| 46 | 508033010035 | Cables | 1 | Chapter 5/01/8 |
| 47 | 507633010005 | Wire Harness | 1 | Chapter 5/02/1 |
| 48 | 508533010006 | Wire Harness | 1 | Chapter 5/02/2 |
| 49 | 508533010014 | Cables | 1 | Chapter 5/02/3 |
| 50 | 508533010004 | Wire Harness | 1 | Chapter 5/02/4 |
| 51 | 508533010005 | Wire Harness | 1 | Chapter 5/02/5 |
| 52 | 507633010002 | Wire Harness | 1 | Chapter 5/02/6 |
| 53 | 507633010003 | Wire Harness | 1 | Chapter 5/02/6 |
| 54 | 508533010007 | Wire Harness | 1 | Chapter 5/02/7 |
| 55 | 507633010001 | Wire Harness | 1 | Chapter 5/02/8 |
| 56 | 507633010004 | Wire Harness | 1 | Chapter 5/02/8 |
| 57 | 920200100027 | Emergency Button | 1 | Chapter 5/03/2 Chapter 5/04/2 |
| 58 | 920200300022 | Microswitch | 1 | Chapter 5/03/8 Chapter 5/04/8 |
| 59 | 920100200015 | Fuse | 1 | Chapter 5/09/1.11 Chapter 5/10/1.11 |
| 60 | 920100200016 | Fuse | 1 | Chapter 5/09/1.10 Chapter 5/10/1.11 |
| 61 | 920100200018 | Fuse | 1 | Chapter 5/11/1.11 |
| 62 | 920100200017 | Fuse | 1 | Chapter 5/11/1.10 |

